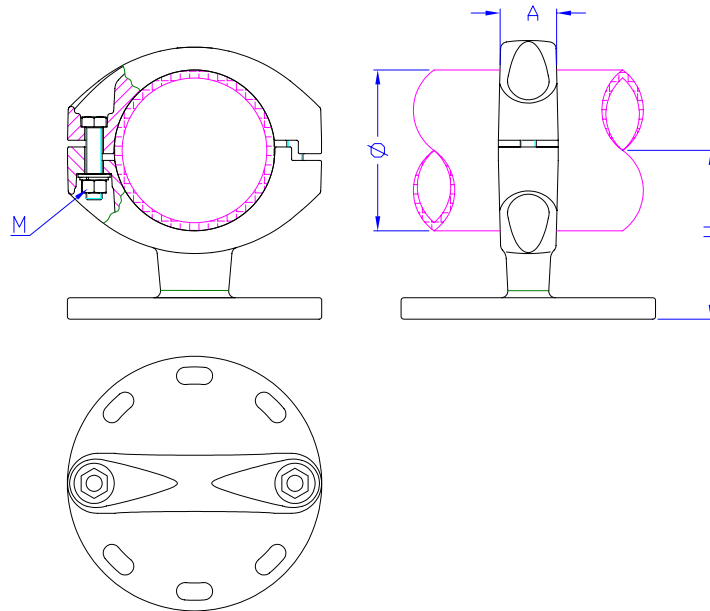


Bus bar Support

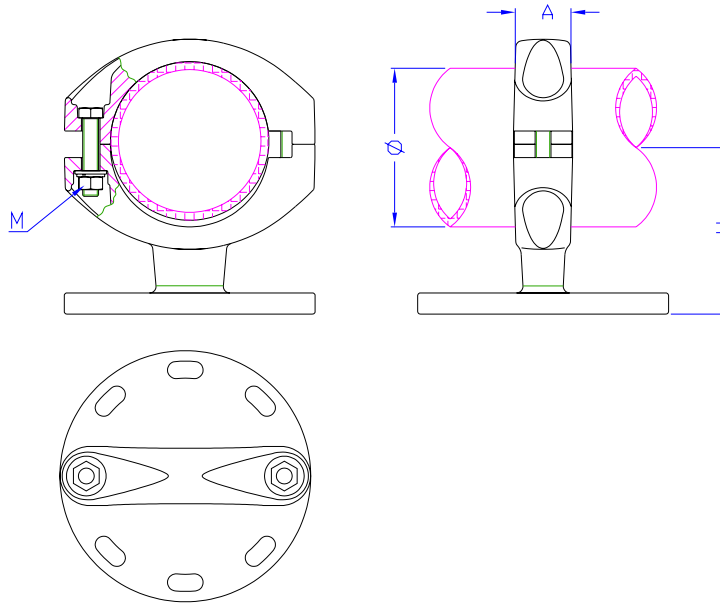
Fix



Catalogue Number	Tube Size(ϕ)	Dimensions		
		A	H	M
BS-F-50	50	45	75	12
BS-F-60	60	45	85	12
BS-F-80	80	45	95	12
BS-F-100	100	45	105	12
BS-F-120	120	45	115	12
BS-F-160	160	50	135	12
BS-F-200	200	62	180	14
BS-F-250	250	62	205	14

Bus bar Support

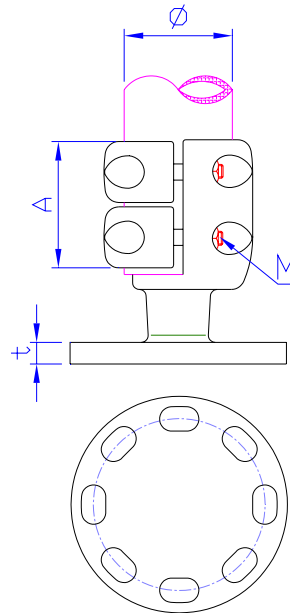
Slide



Catalogue Number	Tube Size(ϕ)	Dimensions		
		A	H	M
BS-S-50	50	45	75	12
BS-S-60	60	45	85	12
BS-S-80	80	45	95	12
BS-S-10	100	45	105	12
BS-S-12	120	45	115	12
BS-S-16	160	50	135	12
BS-S-20	200	62	180	14
BS-S-25	250	62	205	14

Bus bar Support

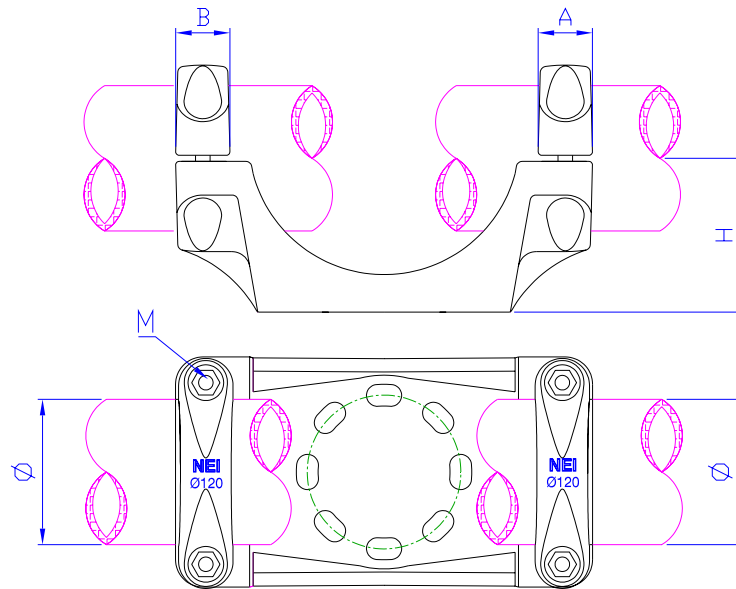
Vertical



Catalogue Number	Tube Size(ϕ)	Dimensions		
		A	t	M
VBS-50	50	93	16	12
VBS-60	60	93	16	12
VBS-80	80	93	16	12
VBS-10	100	93	16	12
VBS-12	120	93	16	12
VBS-16	160	103	16	12
VBS-20	200	127	16	14
VBS-25	250	127	16	14

Double Bus bar Support

Fix & Slide

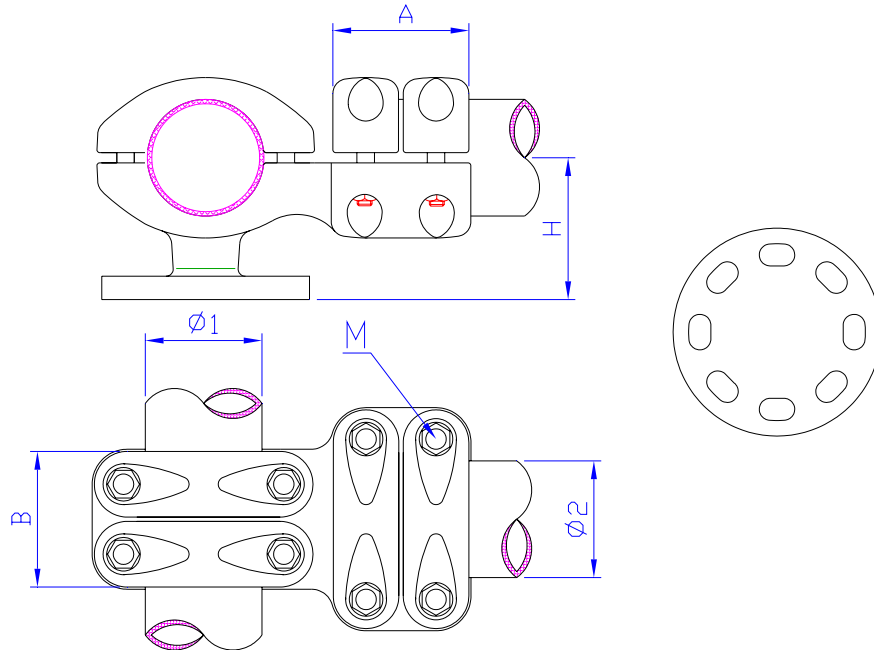


Catalogue Number	Tube Size(ϕ)	Dimensions		
		A	H	M
DBS-F-50	50	45	75	12
DBS-F-60	60	45	85	12
DBS-F-80	80	45	95	12
DBS-F-10	100	45	105	12
DBS-F-12	120	45	115	12
DBS-F-16	160	50	135	12
DBS-F-20	200	62	180	14
DBS-F-25	250	62	205	14

For slide type, replace S instead of F in the catalogue number.

Bus bar Support

T-Connector



Catalogue Number	Tube Size(ϕ)	Dimensions		
		A	H	M
BSTC-50	50	45	75	12
BSTC-60	60	45	85	12
BSTC-80	80	45	95	12
BSTC-10	100	45	105	12
BSTC-12	120	45	115	12
BSTC-16	160	50	135	12
BSTC-20	200	62	180	14
BSTC-25	250	62	205	14

In case of difference between tube sizes, add the second size in front of the catalogue number.

For example: T-Connector Bus bar Support for tube 100 to tube 120 = BSTC-1012