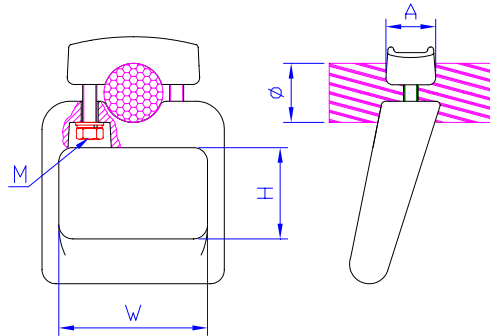
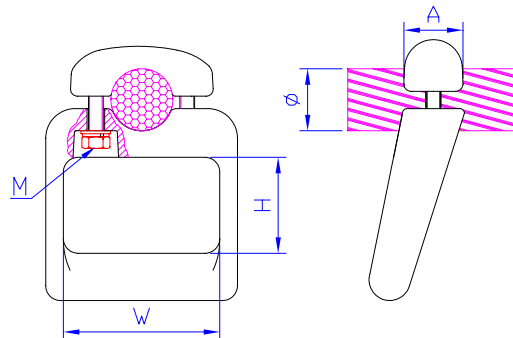


EARTHING POINT



Single Cable (up to 230 kV)

Catalogue Number	Conductor Range (mm) (ϕ)	Dimensions (mm)			
		A	H	W	M
EP1-19	12-19	77	78	125	12
EP1-27	19-27				
EP1-33	26-33				
EP1-42	36-42				

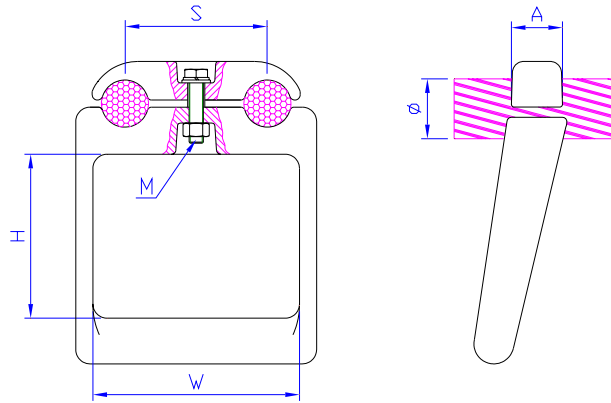


Single Cable (400 kV)

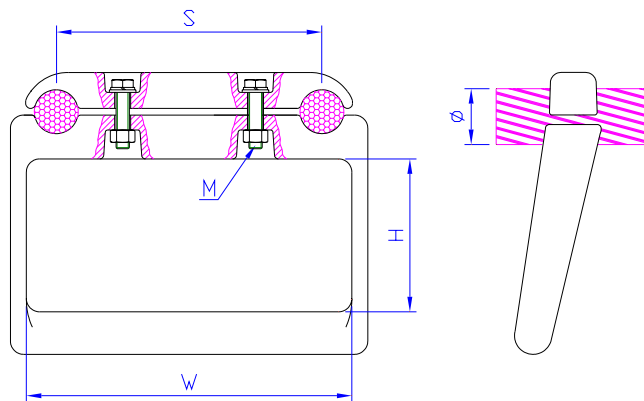
Catalogue Number	Conductor Range (mm) (ϕ)	Dimensions (mm)			
		A	H	W	M
EP2-19	12-19	36	78	125	12
EP2-27	19-27	36			
EP2-33	26-33	38			
EP2-42	36-42	42			

EARTHING POINT

Double Cable



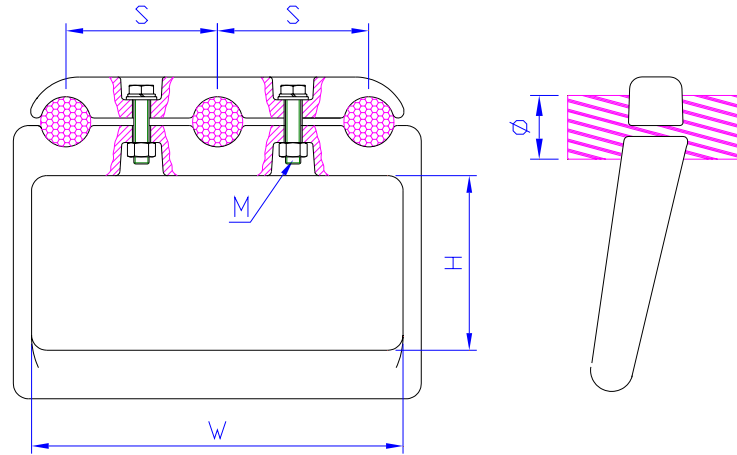
Catalogue Number	Conductor Range (mm)	Dimensions (mm)				
	(ϕ)	A	S	H	W	M
EP10-19	12-19	40	100	118	145	12
EP10-27	19-27					
EP10-33	26-33					
EP10-42	36-42					



Catalogue Number	Conductor Range (mm)	Dimensions (mm)				
	(ϕ)	A	S	H	W	M
EP20-19	12-19	77	200	118	245	12
EP20-27	19-27					
EP20-33	26-33					
EP20-42	36-42					

EARTHING POINT

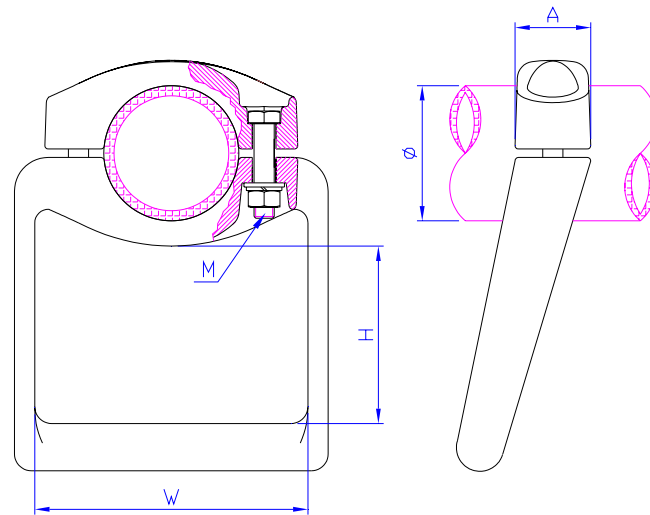
Triple Cable



Catalogue Number	Conductor Range (mm)	Dimensions (mm)				
	(ϕ)	A	S	H	W	M
EP10-19	12-19	77	100	118	245	12
EP10-27	19-27					
EP10-33	26-33					
EP10-42	36-42					

EARTHING POINT

for Tube



Catalogue Number	Tube Size (mm)	Dimensions (mm)			
	(ϕ)	A	W	H	M
EP-50	50	45	136	105	12
EP-60	60	45	151	105	12
EP-80	80	45	166	105	12
EP-100	100	45	191	105	12
EP-120	120	45	206	105	12
EP-160	160	50	261	105	12
EP-200	200	62	296	105	14
EP-250	250	62	356	105	14