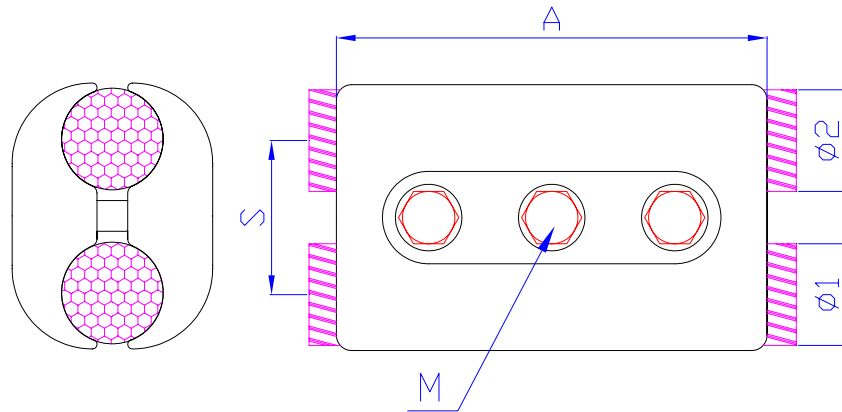


PARALLEL CLAMPS

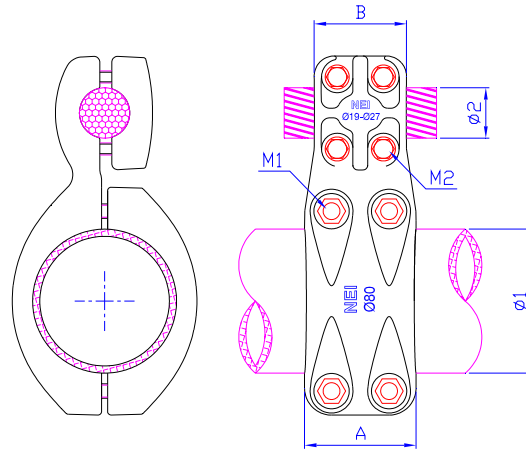
Cable to Cable



Catalogue Number	Conductor Range (mm)		Dimensions (mm)		
	($\phi 1$)	($\phi 2$)	S	A	M
PC-1919	12-19	12-19	50	135	10
PC-2727	19-27	19-27	50	135	10
PC-3333	26-33	26-33	50	135	10
PC-4242	36-42	36-42	60	135	10

PARALLEL CLAMPS

Tube to Cable



Catalogue Number	Conductor Range (mm)		Dimensions (mm)			
	($\phi 1$)	($\phi 2$)	A	B	M1	M2
PC1-5019	50	12-19	93	77	12	10
PC1-5027		19-27	93	77	12	10
PC1-5033		26-33	93	77	12	10
PC1-5042		36-42	93	77	12	10
PC1-6019	60	12-19	93	77	12	10
PC1-6027		19-27	93	77	12	10
PC1-6033		26-33	93	77	12	10
PC1-6042		36-42	93	77	12	10
PC1-8019	80	12-19	93	77	12	10
PC1-8027		19-27	93	77	12	10
PC1-8033		26-33	93	77	12	10
PC1-8042		36-42	93	77	12	10
PC1-1019	100	12-19	93	77	12	10
PC1-1027		19-27	93	77	12	10
PC1-1033		26-33	93	77	12	10
PC1-1042		36-42	93	77	12	10
PC1-1219	120	12-19	93	77	12	10
PC1-1227		19-27	93	77	12	10
PC1-1233		26-33	93	77	12	10
PC1-1242		36-42	93	77	12	10

Continued on next page

PARALLEL CLAMPS

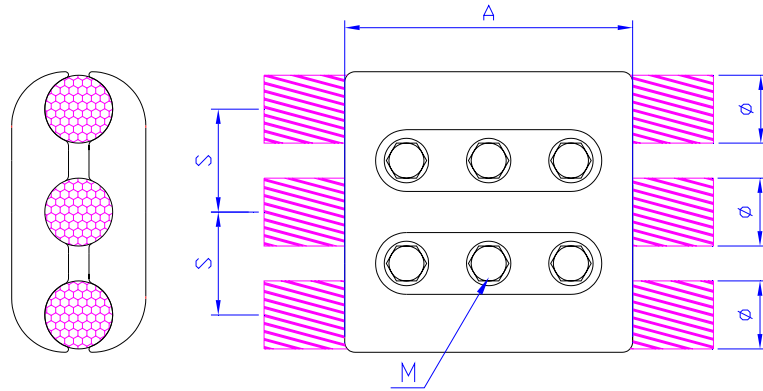
Tube to Cable

Continued

Catalogue Number	Conductor Range (mm)		Dimensions (mm)			
	Tube(ϕ 1)	Cable(ϕ 2)	A	B	M1	M2
PC1-1619	160	12-19	103	77	12	10
PC1-1627		19-27	103	77	12	10
PC1-1633		26-33	103	77	12	10
PC1-1642		36-42	103	77	12	10
PC1-2019	200	12-19	127	77	14	10
PC1-2027		19-27	127	77	14	10
PC1-2033		26-33	127	77	14	10
PC1-2042		36-42	127	77	14	10
PC1-2519	250	12-19	127	77	14	10
PC1-2527		19-27	127	77	14	10
PC1-2533		26-33	127	77	14	10
PC1-2542		36-42	127	77	14	10

Triple PARALLEL CLAMPS

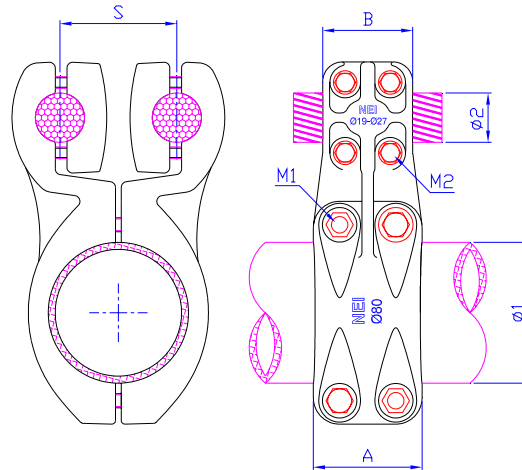
Three Cable



Catalogue Number	Conductor Range (mm) (ϕ)	Dimensions (mm)		
		A	S	M
PC3-19	12-19	135	50	10
PC3-27	19-27	135	50	10
PC3-33	26-33	135	50	10
PC3-42	36-42	135	60	10

SINGLE DUPLEX PARALLEL CLAMPS

Tube to two Cable



Catalogue Number	Conductor Range (mm)		Dimensions (mm)			
	($\phi 1$)	($\phi 2$)	A	B	M1	M2
PC12-5019	50	12-19	93	77	12	10
PC12-5027		19-27	93	77	12	10
PC12-5033		26-33	93	77	12	10
PC12-5042		36-42	93	77	12	10
PC12-6019	60	12-19	93	77	12	10
PC12-6027		19-27	93	77	12	10
PC12-6033		26-33	93	77	12	10
PC12-6042		36-42	93	77	12	10
PC12-8019	80	12-19	93	77	12	10
PC12-8027		19-27	93	77	12	10
PC12-8033		26-33	93	77	12	10
PC12-8042		36-42	93	77	12	10
PC12-1019	100	12-19	93	77	12	10
PC12-1027		19-27	93	77	12	10
PC12-1033		26-33	93	77	12	10
PC12-1042		36-42	93	77	12	10
PC12-1219	120	12-19	93	77	12	10
PC12-1227		19-27	93	77	12	10
PCT2-1233		26-33	93	77	12	10
PC12-1242		36-42	93	77	12	10

Continued on next page

SINGLE DUPLEX PARALLEL CLAMPS

Tube to two Cable

Continued

Catalogue Number	Conductor Range (mm)		Dimensions (mm)			
	Tube(ϕ 1)	Cable(ϕ 2)	A	B	M1	M2
PC 12-1619	160	12-19	103	77	12	10
PC 12-1627		19-27	103	77	12	10
PC 12-1633		26-33	103	77	12	10
PC 12-1642		36-42	103	77	12	10
PC 12-2019	200	12-19	127	77	14	10
PC 12-2027		19-27	127	77	14	10
PC 12-2033		26-33	127	77	14	10
PC 12-2042		36-42	127	77	14	10
PC 12-2519	250	12-19	127	77	14	10
PC 12-2527		19-27	127	77	14	10
PC 12-2533		26-33	127	77	14	10
PC 12-2542		36-42	127	77	14	10