

SPACER

Two Bundles

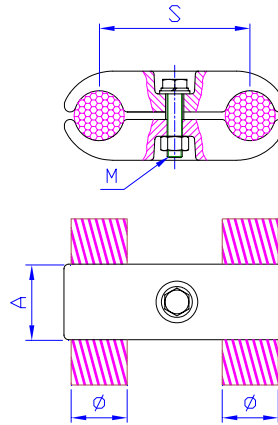


Fig.1

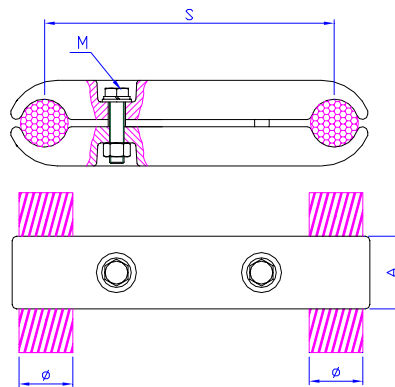


Fig.2

Catalogue Number	Fig. No.	Conductor Range (mm) (ϕ)	Dimensions (mm)		
			S	A	M
SP21-19	1	12-19	100	40	12
SP22-19	2		200		
SP21-27	1	19-27	100	40	12
SP22-27	2		200		
SP21-33	1	26-33	100	40	12
SP22-33	2		200		
SP21-42	1	36-42	100	40	12
SP22-42	2		200		

SPACER

Three Bundles (Linear)

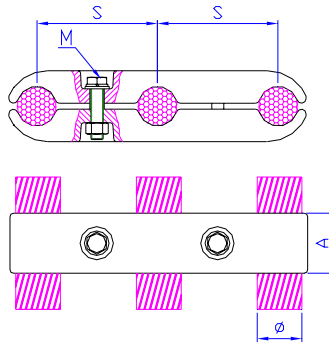


Fig.1

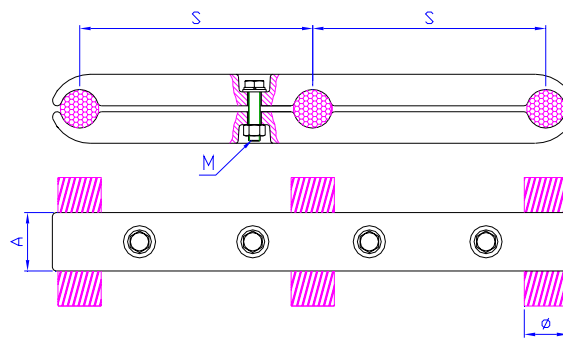


Fig.2

Catalogue Number	Fig. No.	Conductor Range (mm) (ϕ)	Dimensions (mm)		
			S	A	M
SP3L1-19	1	12-19	100	40	12
SP3L2-19	2		200		
SP3L1-27	1	19-27	100	40	12
SP3L2-27	2		200		
SP3L1-33	1	26-33	100	40	12
SP3L2-33	2		200		
SP3L1-42	1	36-42	100	40	12
SP3L2-42	2		200		

SPACER

Three Bundles (Triangle)

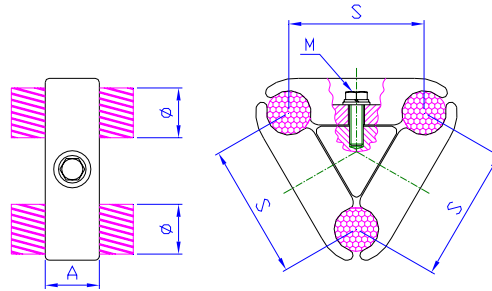


Fig.1

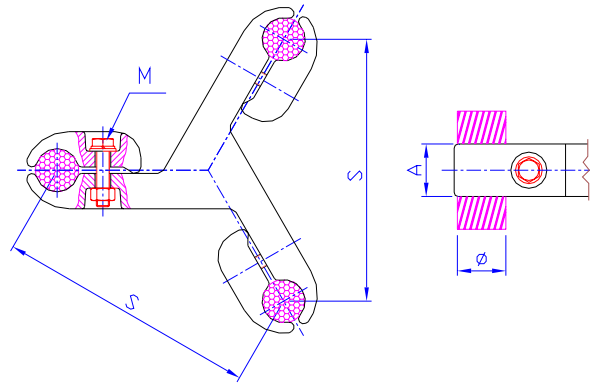


Fig.2

Catalogue Number	Fig. No.	Conductor Range (mm)	Dimensions (mm)		
		(ϕ)	S	A	M
SP3T1-19	1	12-19	100	40	12
SP3T2-19	2		200		
SP3T1-27	1	19-27	100	40	12
SP3T2-27	2		200		
SP3T1-33	1	26-33	100	40	12
SP3T2-33	2		200		
SP3T1-42	1	36-42	100	40	12
SP3T2-42	2		200		