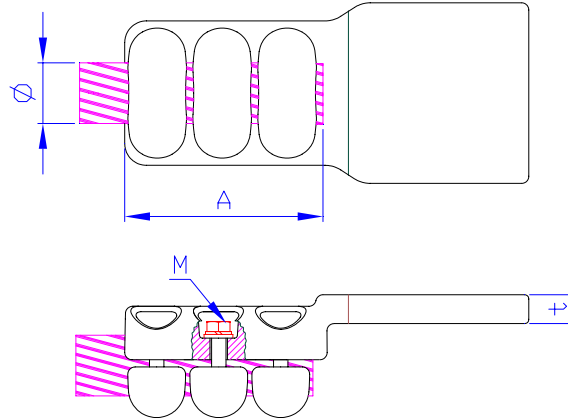


## TERMINALS

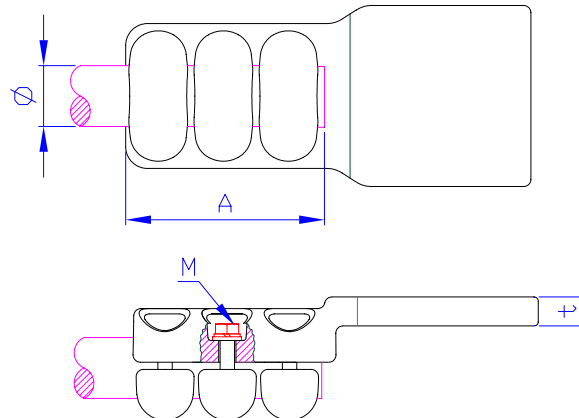
### Flat Terminal

DVST11-19-CD-Nd-EF Cable to Flat



Catalogue Number	Conductor Range( $\phi$ )	Dimensions		
		A	t	M
FT2-19-CD-Nd-EF	12-19	120	16	10
FT2-27-CD-Nd-EF	19-27	120	16	10
FT2-33-CD-Nd-EF	26-33	125	16	10
FT2-42-CD-Nd-EF	36-42	130	16	10

### Stud to Flat

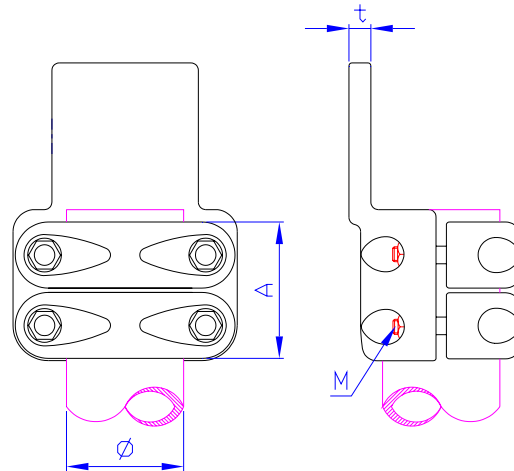


Catalogue Number	Conductor Range( $\phi$ )	Dimensions		
		A	t	M
FT2-30-CD-Nd-EF	30	125	16	10
FT2-32-CD-Nd-EF	32	125	16	10
FT2-40-CD-Nd-EF	40	130	16	10
FT2-42-CD-Nd-EF	42	130	16	10

## TERMINALS

### Flat Terminal

Tube to FLAT

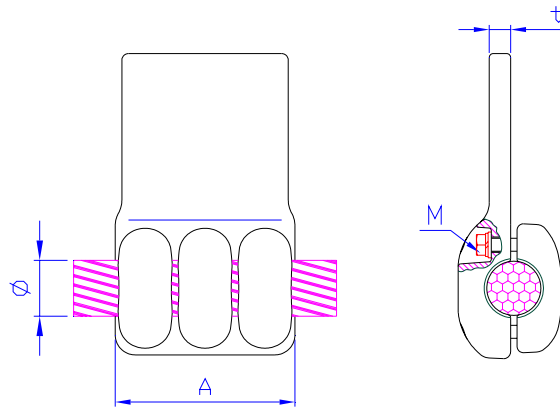


Catalogue Number	Tube Size( $\phi$ )	Dimensions		
		A	t	M
FT-50-CD-Nd-EF	50	93	20	12
FT-60-CD-Nd-EF	60	93	20	12
FT-80-CD-Nd-EF	80	93	20	12
ST-10-CD-Nd-EF	100	93	20	12
FT-12-CD-Nd-EF	120	93	20	12
FT-16-CD-Nd-EF	160	103	20	12
FT-20-CD-Nd-EF	200	127	20	14
ST-25-CD-Nd-EF	250	127	20	14

## TERMINALS

### Side Terminal

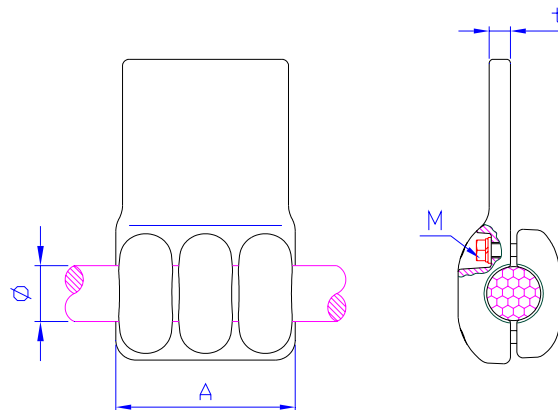
Cable to Flat



Catalogue Number	Conductor Range( $\phi$ )	Dimensions		
		A	t	M
ST2-19-CD-Nd-EF	12-19	120	16	10
ST2-27-CD-Nd-EF	19-27	120	16	10
ST2-33-CD-Nd-EF	26-33	125	16	10
ST2-42-CD-Nd-EF	36-42	130	16	10

2

Stud to Flat



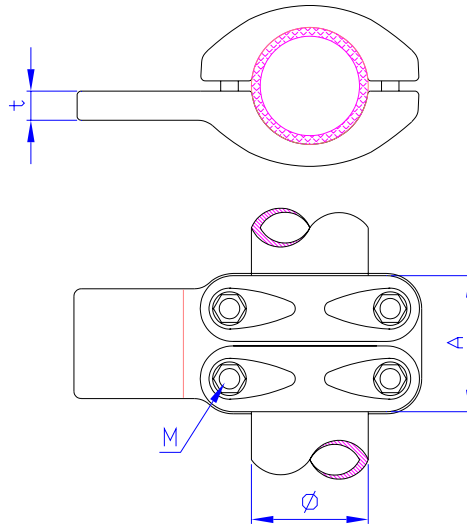
Catalogue Number	Conductor Range( $\phi$ )	Dimensions		
		A	t	M
ST2-30-CD-Nd-EF	30	125	16	10
ST2-32-CD-Nd-EF	32	125	16	10
ST2-40-CD-Nd-EF	40	130	16	10
ST2-42-CD-Nd-EF	42	130	16	10

2

## TERMINALS

### Side Terminal

#### Tube to Flat



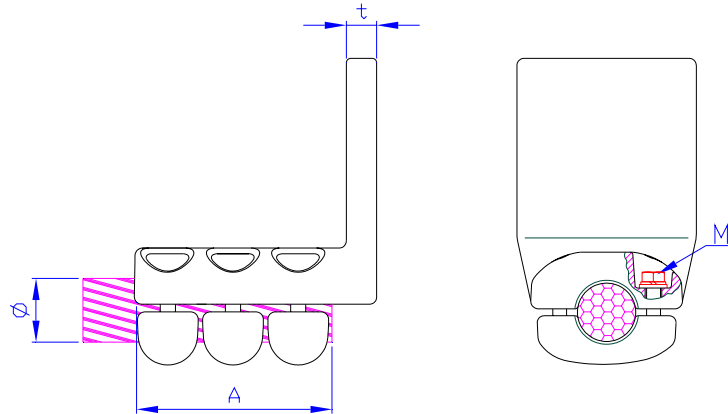
Catalogue Number	Tube Size( $\phi$ )	Dimensions		
		A	t	M
ST-50-CD-Nd-EF	50	93	20	12
ST-60-CD-Nd-EF	60	93	20	12
ST-80-CD-Nd-EF	80	93	20	12
ST-10-CD-Nd-EF	100	93	20	12
ST-12-CD-Nd-EF	120	93	20	12
ST-16-CD-Nd-EF	160	103	20	12
ST-20-CD-Nd-EF	200	127	20	14
ST-25-CD-Nd-EF	250	127	20	14



## TERMINALS

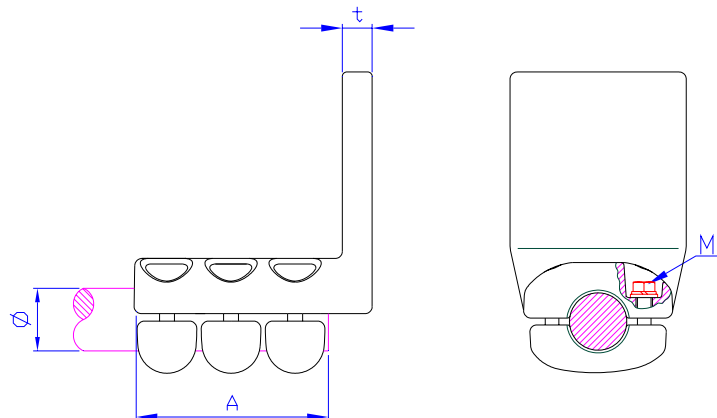
### Vertical Terminal

Cable to Flat



Catalogue Number	Conductor Range( $\phi$ )	Dimensions		
		A	t	M
VT2-19-CD-Nd-EF	12-19	120	16	10
VT2-27-CD-Nd-EF	19-27	120	16	10
VT2-33-CD-Nd-EF	26-33	125	16	10
VT2-42-CD-Nd-EF	36-42	130	16	10

Stud to Flat

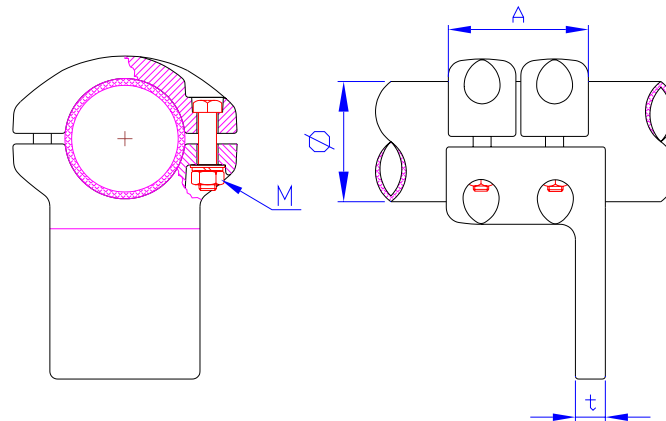


Catalogue Number	Conductor Range( $\phi$ )	Dimensions		
		A	t	M
VT2-30-CD-Nd-EF	30	125	16	10
VT2-32-CD-Nd-EF	32	125	16	10
VT2-40-CD-Nd-EF	40	130	16	10
VT2-42-CD-Nd-EF	42	130	16	10

## TERMINALS

### Vertical Terminal

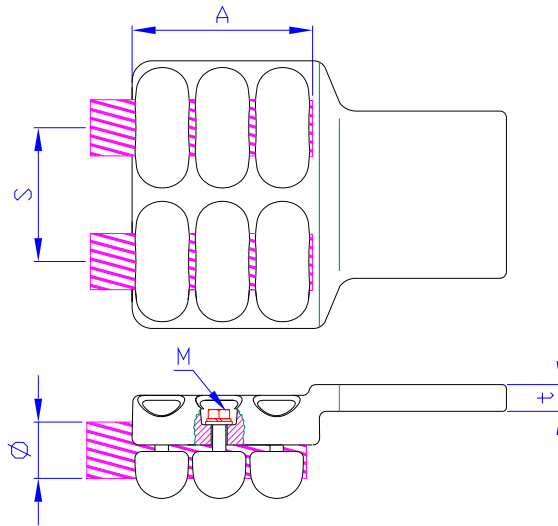
Tube to FLAT



Catalogue Number	Tube Size( $\phi$ )	Dimensions		
		A	t	M
VT-50-CD-Nd-EF	50	93	20	12
VT-60-CD-Nd-EF	60	93	20	12
VT-80-CD-Nd-EF	80	93	20	12
VT-10-CD-Nd-EF	100	93	20	12
VT-12-CD-Nd-EF	120	93	20	12
VT-16-CD-Nd-EF	160	103	20	12
VT-20-CD-Nd-EF	200	127	20	14
VT-25-CD-Nd-EF	250	127	20	14

## TERMINALS

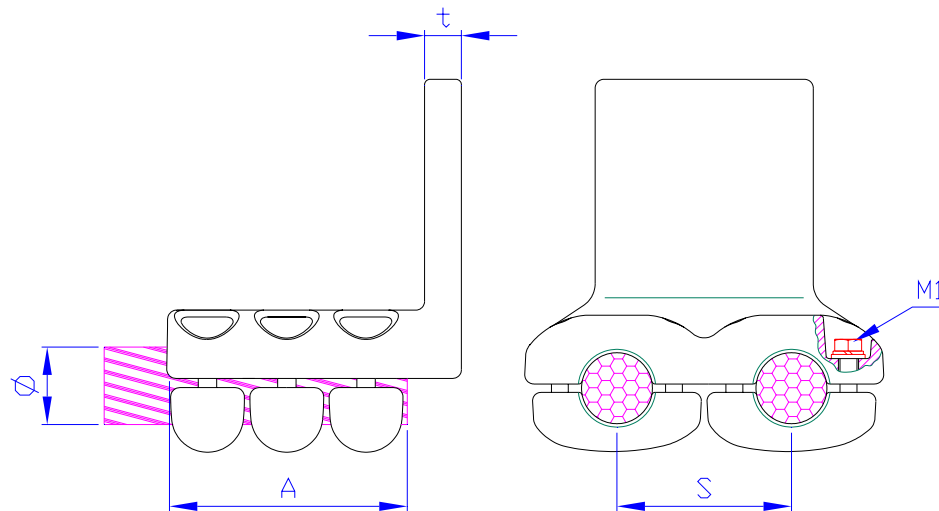
### Double Flat Terminal



Catalogue Number	Conductor Range( $\phi$ )	Dimensions			
		S	A	t	M
DFT21-19-CD-Nd-EF	12-19	100	120	16	10
DFT22-19-CD-Nd-EF		200			
DFT21-27-CD-Nd-EF	19-27	100	120	16	10
DFT22-27-CD-Nd-EF		200			
DFT21-33-CD-Nd-EF	26-33	100	125	16	10
DFT22-33-CD-Nd-EF		200			
DFT21-42-CD-Nd-EF	36-42	100	130	16	10
DFT22-42-CD-Nd-EF		200			

## TERMINALS

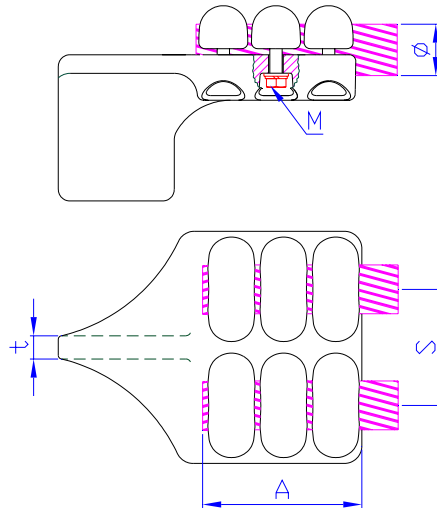
### Double Vertical Terminal



Catalogue Number	Conductor Range( $\phi$ )	Dimensions			
		S	A	t	M
DVT21-19-CD-Nd-EF	12-19	100	120	16	10
DVT22-19-CD-Nd-EF		200			
DVT21-27-CD-Nd-EF	19-27	100	120	16	10
DVT22-27-CD-Nd-EF		200			
DVT21-33-CD-Nd-EF	26-33	100	125	16	10
DVT22-33-CD-Nd-EF		200			
DVT21-42-CD-Nd-EF	36-42	100	130	16	10
DVT22-42-CD-Nd-EF		200			

## TERMINALS

### Double Vertical Side Terminal

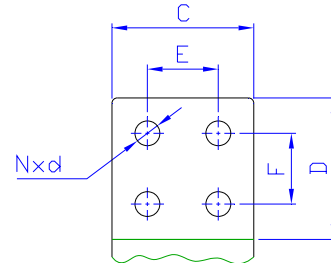


Catalogue Number	Conductor Range( $\phi$ )	Dimensions			
		S	A	t	M
DVST21-19-CD-Nd-EF	12-19	100	120	16	10
DVST22-19-CD-Nd-EF		200			
DVST21-27-CD-Nd-EF	19-27	100	120	16	10
DVST22-27-CD-Nd-EF		200			
DVST21-33-CD-Nd-EF	26-33	100	125	16	10
DVST22-33-CD-Nd-EF		200			
DVST21-42-CD-Nd-EF	36-42	100	130	16	10
DVST22-42-CD-Nd-EF		200			

## TERMINALS

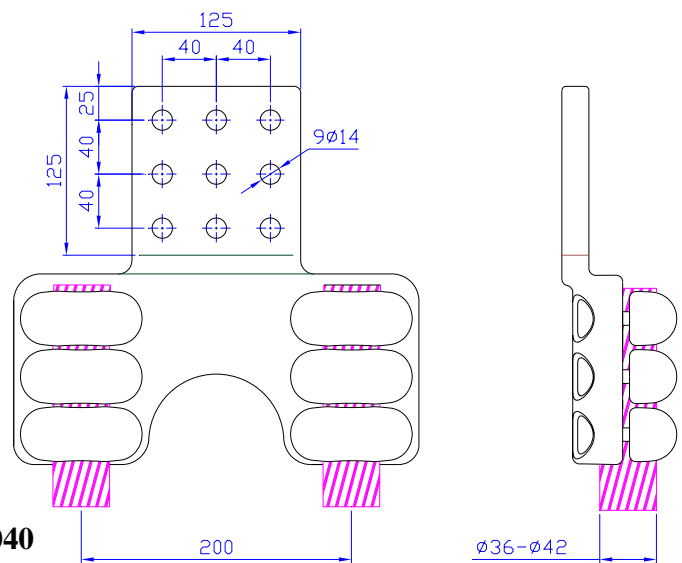
### Selection of Pads

C & D: Dimensions of Pad  
 N: Number of holes  
 d: Diameter of holes  
 E & F: Distances between holes



Example:

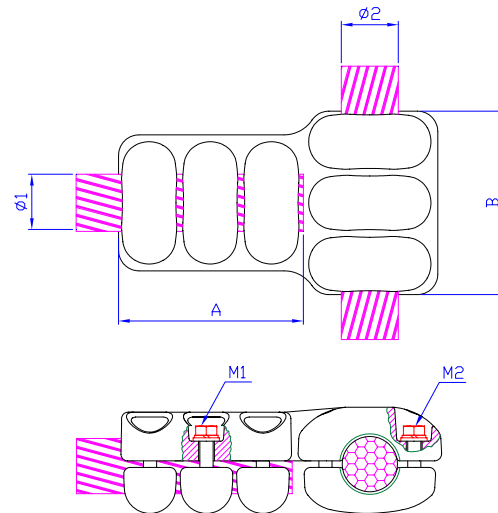
Voltage: 400 kV  
 2 Cable 36.8 mm diameter to Flat  
 Cable distance: 200mm  
 Pad size: 125×125 mm  
 9×14mm holes with 40mm distances



Catalogue number: **DFT22-42-125125-914-4040**

## T-CONNECTORS

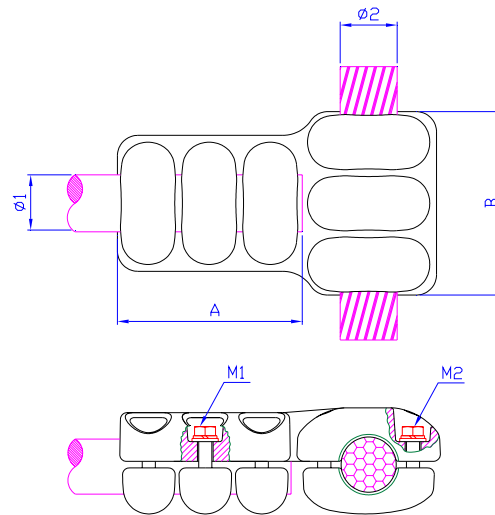
### Cable to Cable



Catalogue Number	Conductor Range (mm)		Dimensions (mm)			
	( $\phi 1$ )	( $\phi 2$ )	A	B	M1	M2
TC2-1919	12-19	12-19	120	120	10	10
TC2-1927		19-27	120	120	10	10
TC2-1933		26-33	120	125	10	10
TC2-1942		36-42	120	130	10	10
TC2-2719	19-27	12-19	120	120	10	10
TC2-2727		19-27	120	120	10	10
TC2-2733		26-33	120	125	10	10
TC2-2742		36-42	120	130	10	10
TC2-3319	26-33	12-19	125	120	10	10
TC2-3327		19-27	125	120	10	10
TC2-3333		26-33	125	125	10	10
TC2-3342		36-42	125	130	10	10
TC2-3719	32-37	12-19	130	120	10	10
TC2-3727		19-27	130	120	10	10
TC2-3733		26-33	130	125	10	10
TC2-3742		36-42	130	130	10	10
TC2-4219	36-42	12-19	120	120	10	10
TC2-4227		19-27	120	120	10	10
TC2-4233		26-33	120	125	10	10
TC2-4242		36-42	120	130	10	10

## T-CONNECTORS

### Stud to Cable

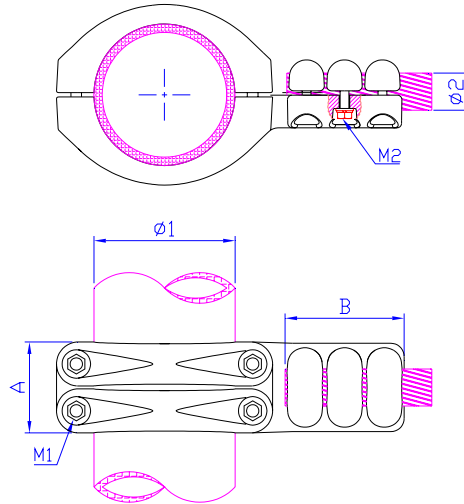


Catalogue Number	Conductor Range (mm)		Dimensions (mm)			
	Stud( $\phi 1$ )	Cable( $\phi 2$ )	A	B	M1	M2
TC2-3019	30	12-19	125	120	10	10
TC2-3027		19-27	125	120	10	10
TC2-3033		26-33	125	125	10	10
TC2-3042		36-42	125	130	10	10
TC2-3219	32	12-19	125	120	10	10
TC2-3227		19-27	125	120	10	10
TC2-3233		26-33	125	125	10	10
TC2-3237		32-37	125	130	10	10
TC2-4019	40	12-19	130	120	10	10
TC2-4027		19-27	130	120	10	10
TC2-4033		26-33	130	125	10	10
TC2-4042		36-42	130	130	10	10
TC2-4219	42	12-19	130	120	10	10
TC2-4227		19-27	130	120	10	10
TC2-4233		26-33	130	125	10	10
TC2-4242		36-42	130	130	10	10



## T-CONNECTORS

### Tube to Cable



Catalogue Number	Conductor Range (mm)		Dimensions (mm)			
	Tube( $\phi 1$ )	Cable( $\phi 2$ )	A	B	M1	M2
TC2-5019	50	12-19	93	120	12	10
TC2-5027		19-27	93	120	12	10
TC2-5033		26-33	93	125	12	10
TC2-5042		36-42	93	130	12	10
TC2-6019	60	12-19	93	120	12	10
TC2-6027		19-27	93	120	12	10
TC2-6033		26-33	93	125	12	10
TC2-6042		36-42	93	130	12	10
TC2-8019	80	12-19	93	120	12	10
TC2-8027		19-27	93	120	12	10
TC2-8033		26-33	93	125	12	10
TC2-8042		36-42	93	130	12	10
TC2-1019	100	12-19	93	120	12	10
TC2-1027		19-27	93	120	12	10
TC2-1033		26-33	93	125	12	10
TC2-1042		36-42	93	130	12	10
TC2-1219	120	12-19	93	120	12	10
TC2-1227		19-27	93	120	12	10
TC2-1233		26-33	93	125	12	10
TC2-1242		36-42	93	130	12	10

Continued on next page

## T-CONNECTORS

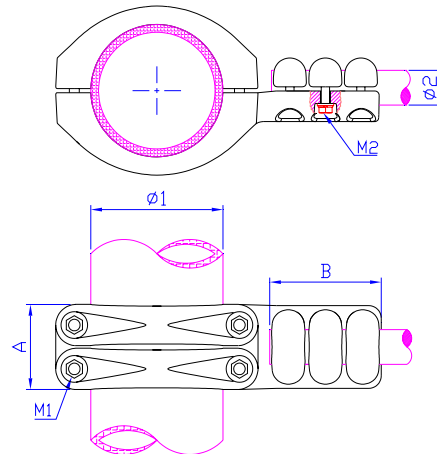
### Tube to Cable

Continued

Catalogue Number	Conductor Range (mm)		Dimensions (mm)			
	Tube( $\phi 1$ )	Cable( $\phi 2$ )	A	B	M1	M2
TC2-1619	160	12-19	103	120	12	10
TC2-1627		19-27	103	120	12	10
TC2-1633		26-33	103	125	12	10
TC2-1642		36-42	103	130	12	10
TC2-2019	200	12-19	127	120	14	10
TC2-2027		19-27	127	120	14	10
TC2-2033		26-33	127	125	14	10
TC2-2042		36-42	127	130	14	10
TC2-2519	250	12-19	127	120	14	10
TC2-2527		19-27	127	120	14	10
TC2-2533		26-33	127	125	14	10
TC2-2542		36-42	127	130	14	10

## T-CONNECTORS

### Tube to Stud



Catalogue Number	Tube & Stud size (mm)		Dimensions (mm)			
	Tube( $\phi 1$ )	Stud( $\phi 2$ )	A	B	M1	M2
TC2-5030	50	30	93	125	12	10
TC2-5032		32	93	125	12	10
TC2-5040		40	93	130	12	10
TC2-5042		42	93	130	12	10
TC2-6030	60	30	93	125	12	10
TC2-6032		32	93	125	12	10
TC2-6040		40	93	130	12	10
TC2-6042		42	93	130	12	10
TC2-8030	80	30	93	125	12	10
TC2-8032		32	93	125	12	10
TC2-8040		40	93	130	12	10
TC2-8042		42	93	130	12	10
TC2-1030	100	30	93	125	12	10
TC2-1032		32	93	125	12	10
TC2-1040		40	93	130	12	10
TC2-1042		42	93	130	12	10
TC2-1230	120	30	93	125	12	10
TC2-1232		32	93	125	12	10
TC2-1240		40	93	130	12	10
TC2-1242		42	93	130	12	10

## T-CONNECTORS

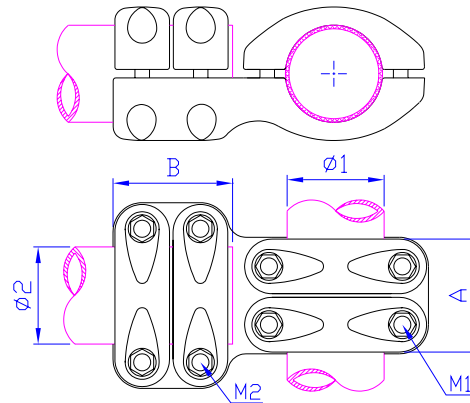
### Tube to Stud

Continued

Catalogue Number	Conductor Range (mm)		Dimensions (mm)			
	Tube( $\phi 1$ )	Stud( $\phi 2$ )	A	B	M1	M2
TC2-1630	160	30	103	125	12	10
TC2-1632		32	103	125	12	10
TC2-1640		40	103	130	12	10
TC2-1642		42	103	130	12	10
TC2-2030	200	30	127	125	14	10
TC2-2032		32	127	125	14	10
TC2-2040		40	127	130	14	10
TC2-2042		42	127	130	14	10
TC2-2530	250	30	127	125	14	10
TC2-2532		32	127	125	14	10
TC2-2540		40	127	130	14	10
TC2-2542		42	127	130	14	10

## T-CONNECTORS

### Tube to Tube



Catalogue Number	Tube size (mm)		Dimensions (mm)			
	( $\phi 1$ )	( $\phi 2$ )	A	B	M1	M2
TC-5050	50	50	93	93	12	12
TC-5060		60	93	93	12	12
TC-5080		80	93	93	12	12
TC-5010		100	93	93	12	12
TC-5012		120	93	93	12	12
TC-5016		160	93	103	12	12
TC-5020		200	93	127	12	14
TC-5025		250	93	127	12	14
TC-6050		60	50	93	93	12
TC-6060	60		93	93	12	12
TC-6080	80		93	93	12	12
TC-6010	100		93	93	12	12
TC-6012	120		93	93	12	12
TC-6016	160		93	103	12	12
TC-6020	200		93	127	12	14
TC-6025	250		93	127	12	14
TC-8050	80		50	93	93	12
TC-8060		60	93	93	12	12
TC-8080		80	93	93	12	12
TC-8010		100	93	93	12	12
TC-8012		120	93	93	12	12
TC-8016		160	93	103	12	12
TC-8020		200	93	127	12	14
TC-8025		250	93	127	12	14
TC-1050		100	50	93	93	12
TC-1060	60		93	93	12	12
TC-1080	80		93	93	12	12
TC-1010	100		93	93	12	12
TC-1012	120		93	93	12	12
TC-1016	160		93	103	12	12
TC-1020	200		93	127	12	14
TC-1025	250		93	127	12	14

Continued on next page

## T-CONNECTORS

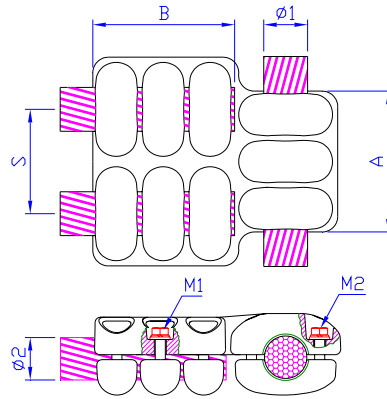
### Tube main to Tube tap

Continued

Catalogue Number	Tube size (mm)		Dimensions (mm)			
	( $\phi 1$ )	( $\phi 2$ )	A	B	M1	M2
TC-5050	120	50	93	93	12	12
TC-5060		60	93	93	12	12
TC-5080		80	93	93	12	12
TC-5010		100	93	93	12	12
TC-5012		120	93	93	12	12
TC-5016		160	93	103	12	12
TC-5020		200	93	127	12	14
TC-5025		250	93	127	12	14
TC-6050	160	50	103	93	12	12
TC-6060		60	103	93	12	12
TC-6080		80	103	93	12	12
TC-6010		100	103	93	12	12
TC-6012		120	103	93	12	12
TC-6016		160	103	103	12	12
TC-6020		200	103	127	12	14
TC-6025		250	103	127	12	14
TC-8050	200	50	127	93	14	12
TC-8060		60	127	93	14	12
TC-8080		80	127	93	14	12
TC-8010		100	127	93	14	12
TC-8012		120	127	93	14	12
TC-8016		160	127	103	14	12
TC-8020		200	127	127	14	14
TC-8025		250	127	127	14	14
TC-1050	250	50	127	93	14	12
TC-1060		60	127	93	14	12
TC-1080		80	127	93	14	12
TC-1010		100	127	93	14	12
TC-1012		120	127	93	14	12
TC-1016		160	127	103	14	12
TC-1020		200	127	127	14	14
TC-1025		250	127	127	14	14

## Double T-CONNECTORS

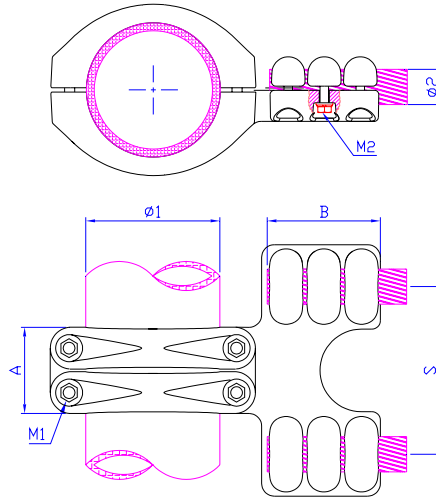
### Cable to Two Cable



Catalogue Number	Conductor Range (mm)		Dimensions (mm)			
	( $\phi 1$ )	( $\phi 2$ )	A	B	M2	M1
TCD2-1919	12-19	12-19	120	120	10	10
TCD2-1927		19-27	120	120	10	10
TCD2-1933		26-33	120	125	10	10
TCD2-1942		36-42	120	130	10	10
TCD2-2719	19-27	12-19	120	120	10	10
TCD2-2727		19-27	120	120	10	10
TCD2-2733		26-33	120	125	10	10
TCD2-2742		36-42	120	130	10	10
TCD2-3319	26-33	12-19	125	120	10	10
TCD2-3327		19-27	125	120	10	10
TCD2-3333		26-33	125	125	10	10
TCD2-3342		36-42	125	130	10	10
TCD2-4219	36-42	12-19	130	120	10	10
TCD2-4227		19-27	130	120	10	10
TCD2-4233		26-33	130	125	10	10
TCD2-4242		36-42	130	130	10	10

## Double T-CONNECTORS

### Tube to two Cable



Catalogue Number	Conductor Range (mm)		Dimensions (mm)			
	Tube( $\phi 1$ )	Cable( $\phi 2$ )	A	B	M1	M2
TCD2-5019	50	12-19	93	77	12	10
TCD2-5027		19-27	93	77	12	10
TCD2-5033		26-33	93	77	12	10
TCD2-5042		36-42	93	77	12	10
TCD2-6019	60	12-19	93	77	12	10
TCD2-6027		19-27	93	77	12	10
TCD2-6033		26-33	93	77	12	10
TCD2-6042		36-42	93	77	12	10
TCD2-8019	80	12-19	93	77	12	10
TCD2-8027		19-27	93	77	12	10
TCD2-8033		26-33	93	77	12	10
TCD2-8042		36-42	93	77	12	10
TCD2-1019	100	12-19	93	77	12	10
TCD2-1027		19-27	93	77	12	10
TCD2-1033		26-33	93	77	12	10
TCD2-1042		36-42	93	77	12	10
TCD2-1219	120	12-19	93	77	12	10
TCD2-1227		19-27	93	77	12	10
TCD2-1233		26-33	93	77	12	10
TCD2-1242		36-42	93	77	12	10

Continued on next page



## Double T-CONNECTORS

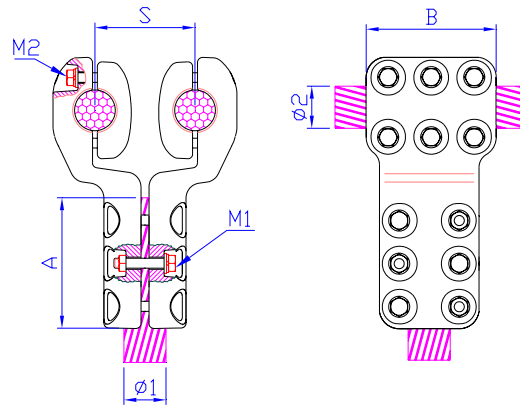
### Tube to two Cable

Continued

Catalogue Number	Conductor Range Tube size (mm)		Dimensions (mm)			
	Tube( $\phi$ 1)	Cable( $\phi$ 2)	A	B	M1	M2
TCD2-1619	160	12-19	103	77	12	10
TCD2-1627		19-27	103	77	12	10
TCD2-1633		26-33	103	77	12	10
TCD2-1642		36-42	103	77	12	10
TCD2-2019	200	12-19	127	77	14	10
TCD2-2027		19-27	127	77	14	10
TCD2-2033		26-33	127	77	14	10
TCD2-2042		36-42	127	77	14	10
TCD2-2519	250	12-19	127	77	14	10
TCD2-2527		19-27	127	77	14	10
TCD2-2533		26-33	127	77	14	10
TCD2-2542		36-42	127	77	14	10

## Single Duplex T-CONNECTORS

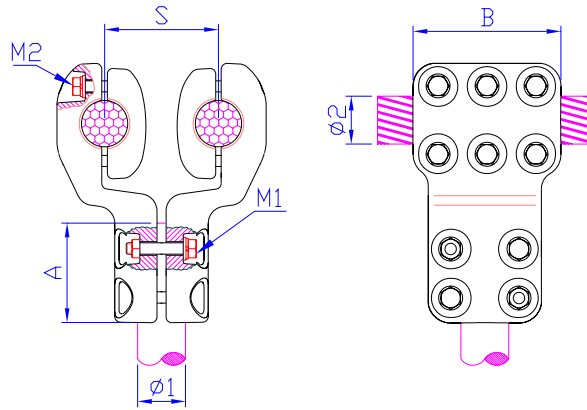
Cable to Two Cable



Catalogue Number	Conductor Range (mm)		Dimensions (mm)								
	( $\phi 1$ )	( $\phi 2$ )	S	A	B	M1	M2				
TCS21-1919	12-19	12-19	100	120	120	10	10				
TCS22-1919			200								
TCS21-1927		19-27	100								
TCS22-1927			200								
TCS21-1933		26-33	100					120	125	10	10
TCS22-1933			200								
TCS21-1942		36-42	100					120	130	10	10
TCS22-1942			200								
TCS21-2719	19-27	12-19	100	120	120	10	10				
TCS22-2719			200								
TCS21-2727		19-27	100								
TCS22-2727			200								
TCS21-2733		26-33	100					120	125	10	10
TCS22-2733			200								
TCS21-2742		36-42	100					120	130	10	10
TCS22-2742			200								
TCS21-3319	26-33	12-19	100	125	120	10	10				
TCS22-3319			200								
TCS21-3327		19-27	100	125	120	10	10				
TCS22-3327			200								
TCS21-3333		26-33	100	125	125	10	10				
TCS22-3333			200								
TCS21-3342		36-42	100	125	130	10	10				
TCS22-3342			200								
TCS21-4219	36-42	12-19	100	130	120	10	10				
TCS22-4219			200								
TCS21-4227		19-27	100	130	120	10	10				
TCS22-4227			200								
TCS21-4233		26-33	100	130	125	10	10				
TCS22-4233			200								
TCS21-4242		36-42	100	130	130	10	10				
TCS22-4242			200								

## Single Duplex T-CONNECTORS

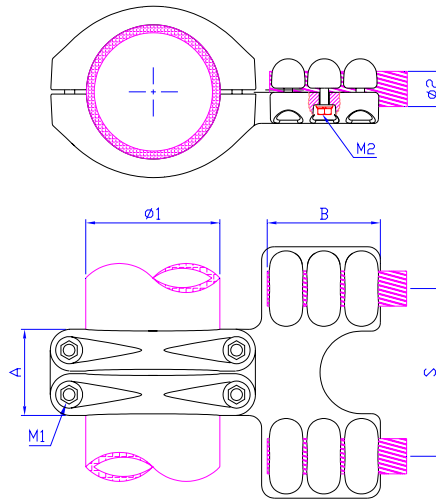
Stud to Two Cable



Catalogue Number	Conductor Range (mm)		Dimensions (mm)				
	( $\phi 1$ )	( $\phi 2$ )	S	A	B	M1	M2
TCS21-3019	30	12-19	100	125	120	10	10
TCS22-3019			200				
TCS21-3027		19-27	100				
TCS22-3027			200				
TCS21-3033		26-33	100				
TCS22-3033			200				
TCS21-3042		36-42	100				
TCS22-3042			200				
TCS21-3219	32	12-19	100	125	120	10	10
TCS22-3219			200				
TCS21-3227		19-27	100				
TCS22-3227			200				
TCS21-3233		26-33	100				
TCS22-3233			200				
TCS21-3242		36-42	100				
TCS22-3242			200				
TCS21-4019	40	12-19	100	130	120	10	10
TCS22-4019			200				
TCS21-4027		19-27	100				
TCS22-4027			200				
TCS21-4033		26-33	100				
TCS22-4033			200				
TCS21-4042		36-42	100				
TCS22-4042			200				
TCS21-4219	42	12-19	100	130	120	10	10
TCS22-4219			200				
TCS21-4227		19-27	100				
TCS22-4227			200				
TCS21-4233		26-33	100				
TCS22-4233			200				
TCS21-4242		36-42	100				
TCS22-4242			200				

## Single Duplex T-CONNECTORS

### Tube to two Cable



Catalogue Number	Conductor Range (mm)		Dimensions (mm)				
	( $\phi 1$ )	( $\phi 2$ )	S	A	B	M1	M2
TCS21-5019	50	12-19	100	93	120	12	10
TCS21-5019			200				
TCS21-5027		19-27	100	93	120	12	10
TCS21-5027			200				
TCS21-5033		26-33	100	93	125	12	10
TCS21-5033			200				
TCS21-5042		36-42	100	93	130	12	10
TCS21-5042			200				
TCS21-6019	60	12-19	100	93	120	12	10
TCS21-6019			200				
TCS21-6027		19-27	100	93	120	12	10
TCS21-6027			200				
TCS21-6033		26-33	100	93	125	12	10
TCS21-6033			200				
TCS21-6042		36-42	100	93	130	12	10
TCS21-6042			200				
TCS21-8019	80	12-19	100	93	120	12	10
TCS21-8019			200				
TCS21-8027		19-27	100	93	120	12	10
TCS21-8027			200				
TCS21-8033		26-33	100	93	125	12	10
TCS21-8033			200				
TCS21-8042		36-42	100	93	130	12	10
TCS21-8042			200				

Continued on next page

## Single Duplex T-CONNECTORS

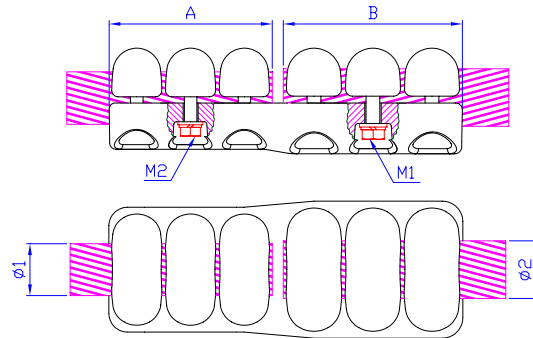
### Tube to two Cable

Continued

Catalogue Number	Conductor Range (mm)		Dimensions (mm)				
	( $\phi 1$ )	( $\phi 2$ )	S	A	B	M1	M2
TCS21-1019	100	12-19	100	93	120	12	10
TCS22-1019			200				
TCS21-1027		19-27	100	93	120	12	10
TCS22-1027			200				
TCS21-1033		26-33	100	93	125	12	10
TCS22-1033			200				
TCS21-1042		36-42	100	93	130	12	10
TCS22-1042			200				
TCS21-1219	120	12-19	100	93	120	12	10
TCS22-1219			200				
TCS21-1227		19-27	100	93	120	12	10
TCS22-1227			200				
TCS21-1233		26-33	100	93	125	12	10
TCS22-1233			200				
TCS21-1242		36-42	100	93	130	12	10
TCS22-1242			200				
TCS21-1619	160	12-19	100	103	120	12	10
TCS22-1619			200				
TCS21-1627		19-27	100	103	120	12	10
TCS22-1627			200				
TCS21-1633		26-33	100	103	125	12	10
TCS22-1633			200				
TCS21-1642		36-42	100	103	130	12	10
TCS22-1642			200				
TCS21-2019	200	12-19	100	127	120	14	10
TCS22-2019			200				
TCS21-2027		19-27	100	127	120	14	10
TCS22-2027			200				
TCS21-2033		26-33	100	127	125	14	10
TCS22-2033			200				
TCS21-2042		36-42	100	127	130	14	10
TCS22-2042			200				
TCS21-2519	250	12-19	100	127	120	14	10
TCS22-2519			200				
TCS21-2527		19-27	100	127	120	14	10
TCS22-2527			200				
TCS21-2533		26-33	100	127	125	14	10
TCS22-2533			200				
TCS21-2542		36-42	100	127	130	14	10
TCS22-2542			200				

## COUPLERS

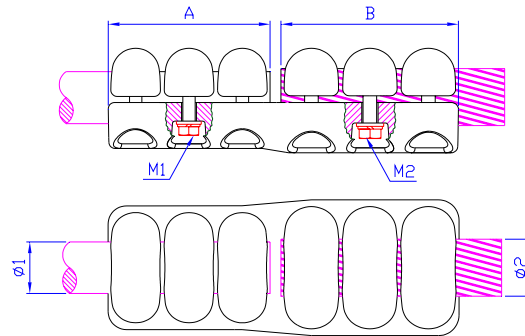
### Cable to Cable



Catalogue Number	Conductor Range (mm)		Dimensions (mm)			
	( $\phi 1$ )	( $\phi 2$ )	A	B	M1	M2
C02-1919	12-19	12-19	120	120	10	10
C02-1927		19-27	120	120	10	10
C02-1933		26-33	120	125	10	10
C02-1942		36-42	120	130	10	10
C02-2719	19-27	12-19	120	120	10	10
C02-2727		19-27	120	120	10	10
C02-2733		26-33	120	125	10	10
C02-2742		36-42	120	130	10	10
C02-3319	26-33	12-19	125	120	10	10
C02-3327		19-27	125	120	10	10
C02-3333		26-33	125	125	10	10
C02-3342		36-42	125	130	10	10
C02S-4219	36-42	12-19	130	120	10	10
C02S-4227		19-27	130	120	10	10
C02S-4233		26-33	130	125	10	10
C02S-4242		36-42	130	130	10	10

## COUPLERS

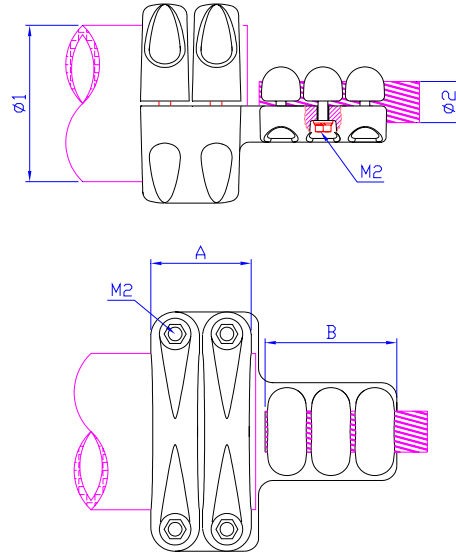
### Stud to Cable



Catalogue Number	Conductor Range (mm)		Dimensions (mm)			
	Stud( $\phi 1$ )	Cable( $\phi 2$ )	A	B	M1	M2
C02-3019	30	12-19	125	120	10	10
C02-3027		19-27	125	120	10	10
C02-3033		26-33	125	125	10	10
C02-3042		36-42	125	130	10	10
C02-3219	32	12-19	125	120	10	10
C02-3227		19-27	125	120	10	10
C02-3233		26-33	125	125	10	10
C02-3242		36-42	125	130	10	10
C02-4019	40	12-19	130	120	10	10
C02-4027		19-27	130	120	10	10
C02-4033		26-33	130	125	10	10
C02-4042		36-42	130	130	10	10
C02S-4219	42	12-19	130	120	10	10
C02S-4227		19-27	130	120	10	10
C02S-4233		26-33	130	125	10	10
C02S-4242		36-42	130	130	10	10

## COUPLERS

### Tube to Cable



Catalogue Number	Conductor Range (mm)		Dimensions (mm)			
	Tube( $\phi 1$ )	Cable( $\phi 2$ )	A	B	M1	M2
C02-5019	50	12-19	93	120	12	10
C02-5027		19-27	93	120	12	10
C02-5033		26-33	93	125	12	10
C02-5042		36-42	93	130	12	10
C02-6019	60	12-19	93	120	12	10
C02-6027		19-27	93	120	12	10
C02-6033		26-33	93	125	12	10
C02-6042		36-42	93	130	12	10
C02-8019	80	12-19	93	120	12	10
C02-8027		19-27	93	120	12	10
C02-8033		26-33	93	125	12	10
C02-8042		36-42	93	130	12	10
C02-1019	100	12-19	93	120	12	10
C02-1027		19-27	93	120	12	10
C02-1033		26-33	93	125	12	10
C02-1042		36-42	93	130	12	10
C02-1219	120	12-19	93	120	12	10
C02-1227		19-27	93	120	12	10
C02-1233		26-33	93	125	12	10
C02-1242		36-42	93	130	12	10

Continued on next page



## COUPLERS

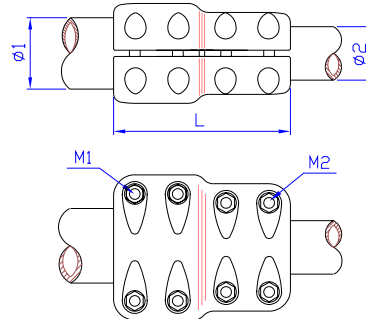
### Tube to Cable

Continued

Catalogue Number	Conductor Range (mm)		Dimensions (mm)			
	Tube( $\phi$ 1)	Cable( $\phi$ 2)	A	B	M1	M2
C02-1619	160	12-19	103	120	12	10
C02-1627		19-27	103	120	12	10
C02-1633		26-33	103	125	12	10
C02-1642		36-42	103	130	12	10
C02-2019	200	12-19	127	120	14	10
C02-2027		19-27	127	120	14	10
C02-2033		26-33	127	125	14	10
C02-2042		36-42	127	130	14	10
C02-2519	250	12-19	127	120	14	10
C02-2527		19-27	127	120	14	10
C02-2533		26-33	127	125	14	10
C02-2542		36-42	127	130	14	10

## COUPLERS

### Tube to Tube



Catalogue Number	Tube size (mm)		Dimensions (mm)		
	(φ1)	(φ2)	L	M1	M2
C02-5050	50	50	196	12	12
C02-5060		60	196	12	12
C02-5080		80	196	12	12
C02-5010		100	196	12	12
C02-5012		120	196	12	12
C02-5016		160	206	12	12
C02-5020		200	230	12	14
C02-5025		250	230	12	14
C02-6050		60	50	196	12
C02-6060	60		196	12	12
C02-6080	80		196	12	12
C02-6010	100		196	12	12
C02-6012	120		196	12	12
C02-6016	160		206	12	12
C02-6020	200		230	12	14
C02-6025	250		230	12	14
C02-8050	80		50	196	12
C02-8060		60	196	12	12
C02-8080		80	196	12	12
C02-8010		100	196	12	12
C02-8012		120	196	12	12
C02-8016		160	206	12	12
C02-8020		200	230	12	14
C02-8025		250	230	12	14
C02-1050		100	50	196	12
C02-1060	60		196	12	12
C02-1080	80		196	12	12
C02-1010	100		196	12	12
C02-1012	120		196	12	12
C02-1016	160		206	12	12
C02-1020	200		230	12	14
C02-1025	250		230	12	14

Continued on next page

## COUPLERS

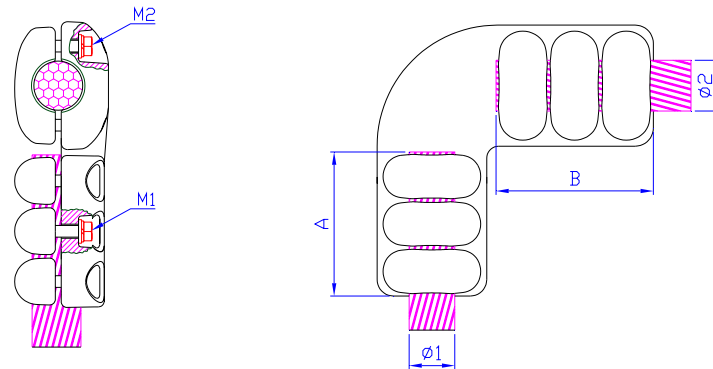
### Tube to Tube

Continued

Catalogue Number	Tube size (mm)		Dimensions (mm)		
	( $\phi 1$ )	( $\phi 2$ )	L	M1	M2
C02-1250	120	50	196	12	12
C02-1260		60	196	12	12
C02-1280		80	196	12	12
C02-1210		100	196	12	12
C02-1212		120	196	12	12
C02-1216		160	206	12	12
C02-1220		200	230	12	14
C02-1225		250	230	12	14
C02-1650		160	50	206	12
C02-1660	60		206	12	12
C02-1680	80		206	12	12
C02-1610	100		206	12	12
C02-1612	120		206	12	12
C02-1616	160		216	12	12
C02-1620	200		240	12	14
C02-1625	250		240	12	14
C02-2050	200		50	230	14
C02-2060		60	230	14	12
C02-2080		80	230	14	12
C02-2010		100	230	14	12
C02-2012		120	230	14	12
C02-2016		160	240	14	12
C02-2020		200	264	14	14
C02-2025		250	264	14	14
C02-2550		250	50	230	14
C02-2560	60		230	14	12
C02-2580	80		230	14	12
C02-2510	100		230	14	12
C02-2512	120		230	14	12
C02-2516	160		240	14	12
C02-2520	200		264	14	14
C02-2525	250		264	14	14

## VERTICAL COUPLERS

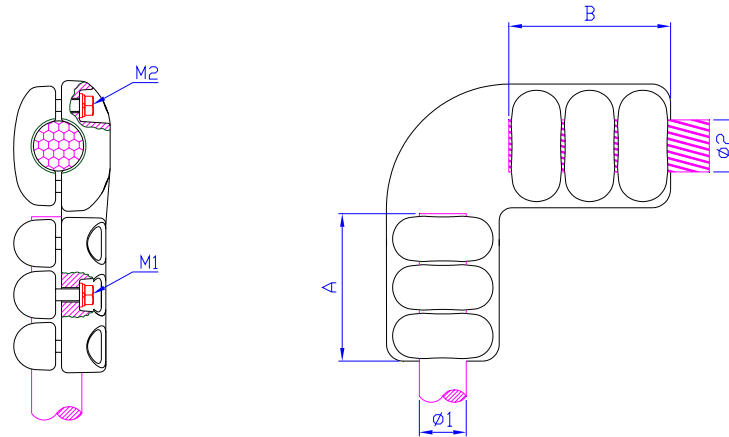
### Cable to Cable



Catalogue Number	Conductor Range (mm)		Dimensions (mm)			
	( $\phi 1$ )	( $\phi 2$ )	A	B	M1	M2
COV2-1919	12-19	12-19	120	120	10	10
COV2-1927		19-27	120	120	10	10
COV2-1933		26-33	120	125	10	10
COV2-1942		36-42	120	130	10	10
COV2-2719	19-27	12-19	120	120	10	10
COV2-2727		19-27	120	120	10	10
COV2-2733		26-33	120	125	10	10
COV2-2742		36-42	120	130	10	10
COV2-3319	26-33	12-19	125	120	10	10
COV2-3327		19-27	125	120	10	10
COV2-3333		26-33	125	125	10	10
COV2-3342		36-42	125	130	10	10
COV2-4219	36-42	12-19	120	120	10	10
COV2-4227		19-27	120	120	10	10
COV2-4233		26-33	120	125	10	10
COV2-4242		36-42	120	130	10	10

## VERTICAL COUPLERS

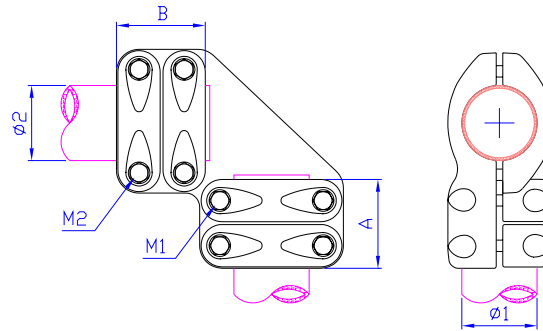
### Stud to Cable



Catalogue Number	Conductor Range (mm)		Dimensions (mm)			
	Stud( $\phi 1$ )	Cable( $\phi 2$ )	A	B	M1	M2
COV2-3019	30	12-19	120	120	10	10
COV2-3027		19-27	120	120	10	10
COV2-3033		26-33	120	125	10	10
COV2-3042		36-42	120	130	10	10
COV2-3219	32	12-19	120	120	10	10
COV2-3227		19-27	120	120	10	10
COV2-3233		26-33	120	125	10	10
COV2-3242		36-42	120	130	10	10
COV2-4019	40	12-19	125	120	10	10
COV2-4027		19-27	125	120	10	10
COV2-4033		26-33	125	125	10	10
COV2-4042		36-42	125	130	10	10
COV2S-4219	42	12-19	120	120	10	10
COV2S-4227		19-27	120	120	10	10
COV2S-4233		26-33	120	125	10	10
COV2S-4242		36-42	120	130	10	10

## VERTICAL COUPLERS

### Tube to Tube



Catalogue Number	Tube size (mm)		Dimensions (mm)			
	( $\phi 1$ )	( $\phi 2$ )	A	B	M1	M2
COV2-5050	50	50	93	93	12	12
COV2-5060		60	93	93	12	12
COV2-5080		80	93	93	12	12
COV2-5010		100	93	93	12	12
COV2-5012		120	93	93	12	12
COV2-5016		160	93	103	12	12
COV2-5020		200	93	127	12	14
COV2-5025		250	93	127	12	14
COV2-6050		60	50	93	93	12
COV2-6060	60		93	93	12	12
COV2-6080	80		93	93	12	12
COV2-6010	100		93	93	12	12
COV2-6012	120		93	93	12	12
COV2-6016	160		93	103	12	12
COV2-6020	200		93	127	12	14
COV2-6025	250		93	127	12	14
COV2-8050	80		50	93	93	12
COV2-8060		60	93	93	12	12
COV2-8080		80	93	93	12	12
COV2-8010		100	93	93	12	12
COV2-8012		120	93	93	12	12
COV2-8016		160	93	103	12	12
COV2-8020		200	93	127	12	14
COV2-8025		250	93	127	12	14
COV2-1050		100	50	93	93	12
COV2-1060	60		93	93	12	12
COV2-1080	80		93	93	12	12
COV2-1010	100		93	93	12	12
COV2-1012	120		93	93	12	12
COV2-1016	160		93	103	12	12
COV2-1020	200		93	127	12	14
COV2-1025	250		93	127	12	14

Continued on next page

## VERTICAL COUPLERS

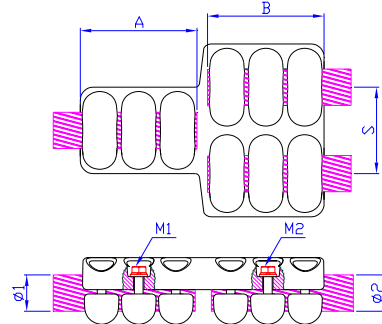
### Tube to Tube

Continued

Catalogue Number	Tube size (mm)		Dimensions (mm)			
	( $\phi 1$ )	( $\phi 2$ )	A	B	M1	M2
COV2-1250	120	50	93	93	12	12
COV2-1260		60	93	93	12	12
COV2-1280		80	93	93	12	12
COV2-1210		100	93	93	12	12
COV2-1212		120	93	93	12	12
COV2-1216		160	93	103	12	12
COV2-1220		200	93	127	12	14
COV2-1225		250	93	127	12	14
COV2-1650		160	50	103	93	12
COV2-1660	60		103	93	12	12
COV2-1680	80		103	93	12	12
COV2-1610	100		103	93	12	12
COV2-1612	120		103	93	12	12
COV2-1616	160		103	103	12	12
COV2-1620	200		103	127	12	14
COV2-1625	250		103	127	12	14
COV2-2050	200		50	127	93	14
COV2-2060		60	127	93	14	12
COV2-2080		80	127	93	14	12
COV2-2010		100	127	93	14	12
COV2-2012		120	127	93	14	12
COV2-2016		160	127	103	14	12
COV2-2020		200	127	127	14	14
COV2-2025		250	127	127	14	14
COV2-2550		250	50	127	93	14
COV2-2560	60		127	93	14	12
COV2-2580	80		127	93	14	12
COV2-2510	100		127	93	14	12
COV2-2512	120		127	93	14	12
COV2-2516	160		127	103	14	12
COV2-2520	200		127	127	14	14
COV2-2525	250		127	127	14	14

## SINGLE DUPLEX COUPLERS

### Cable to Cable

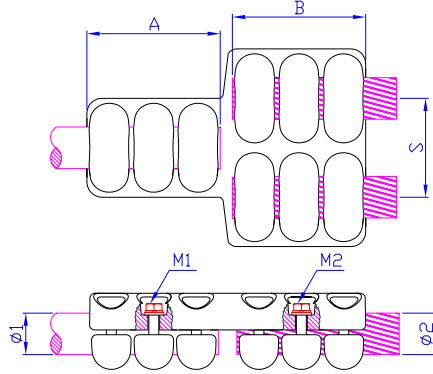


Catalogue Number	Conductor Range (mm)		Dimensions (mm)				
	( $\phi 1$ )	( $\phi 2$ )	S	A	B	M1	M2
COD21-1919	12-19	12-19	100	120	120	10	10
COD22-1919			200				
COD21-1927		19-27	100	120	120	10	10
COD22-1927			200				
COD21-1933		26-33	100	120	125	10	10
COD22-1933			200				
COD21-1942		36-42	100	120	130	10	10
COD22-1942			200				
COD21-2719	19-27	12-19	100	120	120	10	10
COD22-2719			200				
COD21-2727		19-27	100	120	120	10	10
COD22-2727			200				
COD21-2733		26-33	100	120	125	10	10
COD22-2733			200				
COD21-2742		36-42	100	120	130	10	10
COD22-2742			200				
COD21-3319	26-33	12-19	100	125	120	10	10
COD22-3319			200				
COD21-3327		19-27	100	125	120	10	10
COD22-3327			200				
COD21-3333		26-33	100	125	125	10	10
COD22-3333			200				
COD21-3342		36-42	100	125	130	10	10
COD22-3342			200				
COD21-4219	36-42	12-19	100	130	120	10	10
COD22-4219			200				
COD21-4227		19-27	100	130	120	10	10
COD22-4227			200				
COD21-4233		26-33	100	130	125	10	10
COD22-4233			200				
COD21-4242		36-42	100	130	130	10	10
COD22-4242			200				



## SINGLE DUPLEX COUPLERS

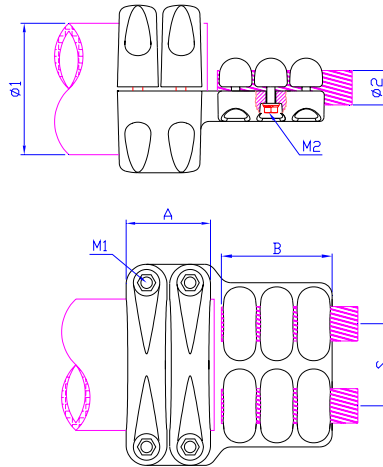
### Stud to Cable



Catalogue Number	Conductor Range (mm)		Dimensions (mm)				
	( $\phi 1$ )	( $\phi 2$ )	S	A	B	M1	M2
COD21-3019	30	12-19	100	125	120	10	10
COD22-3019			200				
COD21-3027		19-27	100	125	120	10	10
COD22-3027			200				
COD21-3033		26-33	100	125	125	10	10
COD22-3033			200				
COD21-3042		36-42	100	125	130	10	10
COD22-3042			200				
COD21-3219	32	12-19	100	125	120	10	10
COD22-3219			200				
COD21-3227		19-27	100	125	120	10	10
COD22-3227			200				
COD21-3233		26-33	100	125	125	10	10
COD22-3233			200				
COD21-3242		36-42	100	125	130	10	10
COD22-3242			200				
COD21-4019	40	12-19	100	130	120	10	10
COD22-4019			200				
COD21-4027		19-27	100	130	120	10	10
COD22-4027			200				
COD21-4033		26-33	100	130	125	10	10
COD22-4033			200				
COD21-4042		36-42	100	130	130	10	10
COD22-4042			200				
COD21-4219	42	12-19	100	130	120	10	10
COD22-4219			200				
COD21-4227		19-27	100	130	120	10	10
COD22-4227			200				
COD21-4233		26-33	100	130	125	10	10
COD22-4233			200				
COD21-4242		36-42	100	130	130	10	10
COD22-4242			200				

## SINGLE DUPLEX COUPLERS

### Tube to Cable



Catalogue Number	Conductor Range (mm)		Dimensions (mm)				
	( $\phi 1$ )	( $\phi 2$ )	S	A	B	M1	M2
COD21-5019	50	12-19	100	93	120	12	10
COD22-5019			200				
COD21-5027		19-27	100	93	120	12	10
COD22-5027			200				
COD21-5033		26-33	100	93	125	12	10
COD22-5033			200				
COD21-5042		36-42	100	93	130	12	10
COD22-5042			200				
COD21-6019	60	12-19	100	93	120	12	10
COD22-6019			200				
COD21-6027		19-27	100	93	120	12	10
COD22-6027			200				
COD21-6033		26-33	100	93	125	12	10
COD22-6033			200				
COD21-6042		36-42	100	93	130	12	10
COD22-6042			200				
COD21-8019	80	12-19	100	93	120	12	10
COD22-8019			200				
COD21-8027		19-27	100	93	120	12	10
COD22-8027			200				
COD21-8033		26-33	100	93	125	12	10
COD22-8033			200				
COD21-8042		36-42	100	93	130	12	10
COD22-8042			200				

Continued on next page

## SINGLE DUPLEX COUPLERS

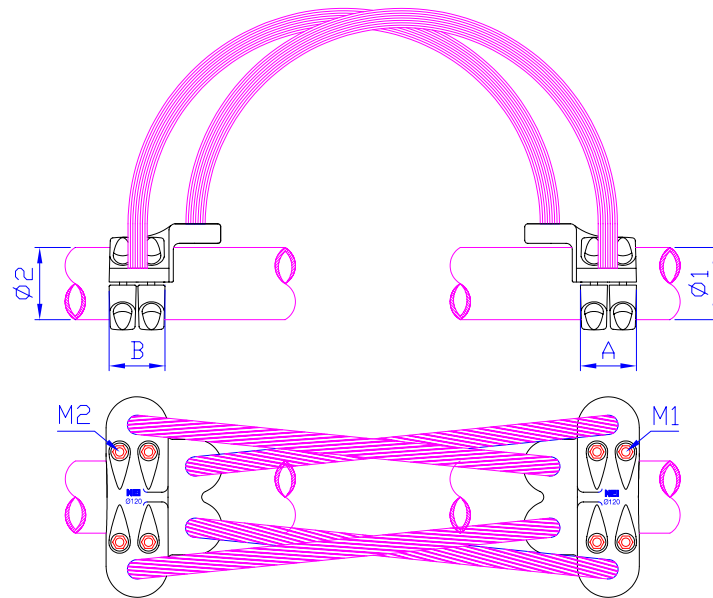
### Tube to Cable

Continued

Catalogue Number	Conductor Range (mm)		Dimensions (mm)				
	( $\phi 1$ )	( $\phi 2$ )	S	A	B	M1	M2
COD21-1019	100	12-19	100	93	120	12	10
COD22-1019			200				
COD21-1027		19-27	100	93	120	12	10
COD22-1027			200				
COD21-1033		26-33	100	93	125	12	10
COD22-1033			200				
COD21-1042		36-42	100	93	130	12	10
COD22-1042			200				
COD21-1219	120	12-19	100	93	120	12	10
COD22-1219			200				
COD21-1227		19-27	100	93	120	12	10
COD22-1227			200				
COD21-1233		26-33	100	93	125	12	10
COD22-1233			200				
COD21-1242		36-42	100	93	130	12	10
COD22-1242			200				
COD21-1619	160	12-19	100	103	120	12	10
COD22-1619			200				
COD21-1627		19-27	100	103	120	12	10
COD22-1627			200				
COD21-1633		26-33	100	103	125	12	10
COD22-1633			200				
COD21-1642		36-42	100	103	130	12	10
COD22-1642			200				
COD21-2019	200	12-19	100	127	120	14	10
COD22-2019			200				
COD21-2027		19-27	100	127	120	14	10
COD22-2027			200				
COD21-2033		26-33	100	127	125	14	10
COD22-2033			200				
COD21-2042		36-42	100	127	130	14	10
COD22-2042			200				
COD21-2519	250	12-19	100	127	120	14	10
COD22-2519			200				
COD21-2527		19-27	100	127	120	14	10
COD22-2527			200				
COD21-2533		26-33	100	127	125	14	10
COD22-2533			200				
COD21-2542		36-42	100	127	130	14	10
COD22-2542			200				

## Expansions

### Expansion Coupler



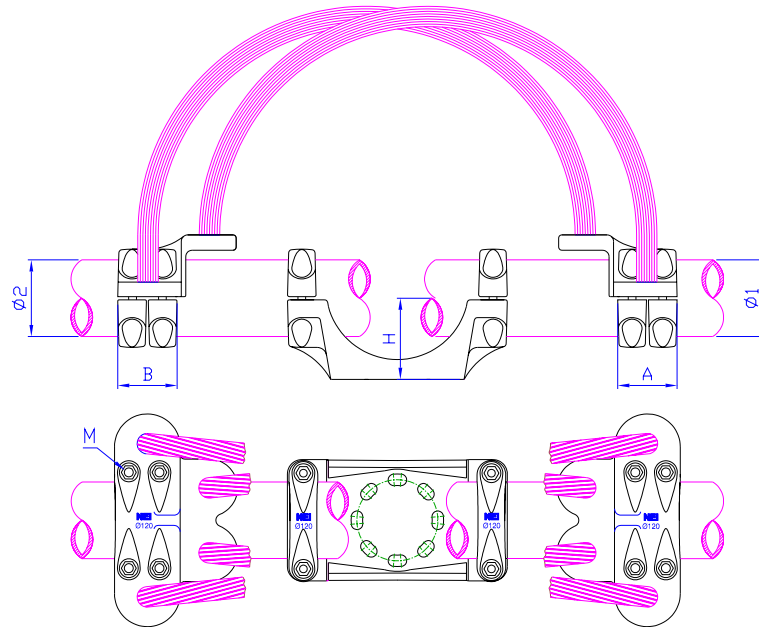
Catalogue Number	Tube Size( $\phi$ )	Dimensions		
		A	H	M
EXC2-50	50	93	75	12
EXC2-60	60	93	85	12
EXC2-80	80	93	95	12
EXC2-10	100	93	105	12
EXC2-12	120	93	115	12
EXC2-16	160	103	135	12
EXC2-20	200	127	180	14
EXC2-25	250	127	205	14

In case of difference between tube sizes, add the second size in front of the catalogue number.

For example: Expansion coupler for tube 100 to tube 120 = EXC2-1012

## Expansions

### Expansion Coupler with Support



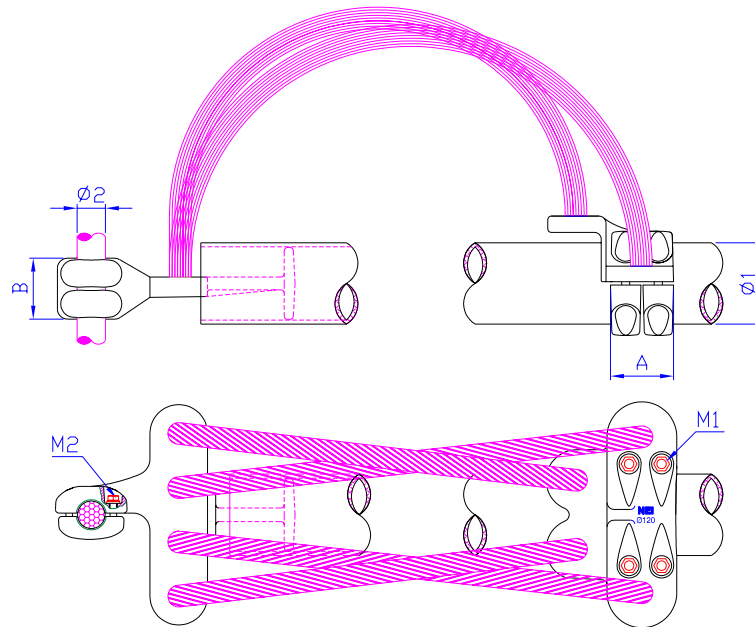
Catalogue Number	Tube Size( $\phi$ )	Dimensions		
		A	H	M
EXC2-S-50	50	93	75	12
EXC2-S-60	60	93	85	12
EXC2-S-80	80	93	95	12
EXC2-S-10	100	93	105	12
EXC2-S-12	120	93	115	12
EXC2-S-16	160	103	135	12
EXC2-S-20	200	127	180	14
EXC2-S-25	250	127	205	14

In case of difference between tube sizes, add the second size in front of the catalogue number.

For example: Expansion coupler for tube 100 to tube 120 = EXC2-S-1012

## Expansions

### Expansion Connector



Catalogue Number	Tube & Stud size (mm)		Dimensions (mm)			
	Tube( $\phi 1$ )	Stud( $\phi 2$ )	A	B	M1	M2
EXC2-5030	50	30	93	79	12	10
EXC2-5032		32	93	79	12	10
EXC2-5040		40	93	87	12	10
EXC2-5042		42	93	87	12	10
EXC2-6030	60	30	93	79	12	10
EXC2-6032		32	93	79	12	10
EXC2-6040		40	93	87	12	10
EXC2-6042		42	93	87	12	10
EXC2-8030	80	30	93	79	12	10
EXC2-8032		32	93	79	12	10
EXC2-8040		40	93	87	12	10
EXC2-8042		42	93	87	12	10
EXC2-1030	100	30	93	79	12	10
EXC2-1032		32	93	79	12	10
EXC2-1040		40	93	87	12	10
EXC2-1042		42	93	87	12	10
EXC2-1230	120	30	93	79	12	10
EXC2-1232		32	93	79	12	10
EXC2-1240		40	93	87	12	10
EXC2-1242		42	93	87	12	10

## Expansions

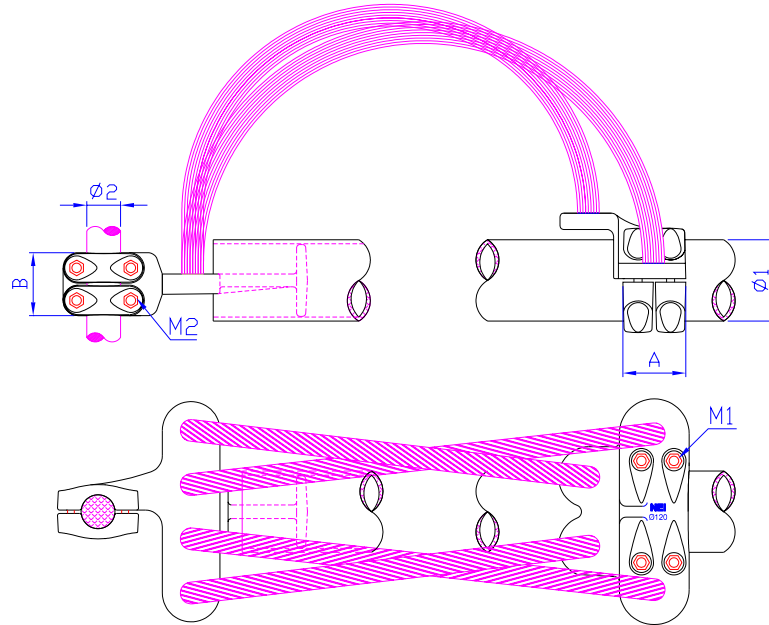
### Expansion Connector

Continued

Catalogue Number	Tube & Stud size (mm)		Dimensions (mm)			
	Tube( $\phi 1$ )	Stud( $\phi 2$ )	A	B	M1	M2
EXC2-1630	160	30	93	79	12	10
EXC2-1632		32	93	79	12	10
EXC2-1640		40	93	87	12	10
EXC2-1642		42	93	87	12	10
EXC2-2030	200	30	93	79	14	10
EXC2-2032		32	93	79	14	10
EXC2-2040		40	93	87	14	10
EXC2-2042		42	93	87	14	10
EXC2-2530	250	30	93	79	14	10
EXC2-2532		32	93	79	14	10
EXC2-2540		40	93	87	14	10
EXC2-2542		42	93	87	14	10

## Expansions

### Expansion Connector

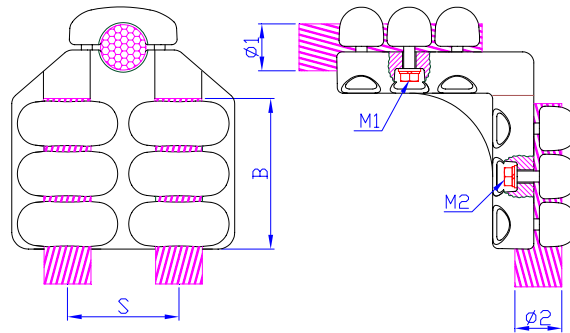


Catalogue Number	Tube & Stud size (mm)		Dimensions (mm)			
	Tube( $\phi 1$ )	Stud( $\phi 2$ )	A	B	M1	M2
EXC2-5050	50	50	93	93	12	12
EXC2-5060		60	93	93	12	12
EXC2-6050	60	50	93	93	12	12
EXC2-6060		60	93	93	12	12
EXC2-8050	80	50	93	93	12	12
EXC2-8060		60	93	93	12	12
EXC2-1050	100	50	93	93	12	12
EXC2-1060		60	93	93	12	12
EXC2-1250	120	50	93	93	12	12
EXC2-1260		60	93	93	12	12
EXC2-1650	160	50	103	93	12	12
EXC2-1660		60	103	93	12	12
EXC2-2050	200	50	127	93	14	12
EXC2-2060		60	127	93	14	12
EXC2-2550	250	50	127	93	14	12
EXC2-2560		60	127	93	14	12



## SINGLE DUPLEX ELBOW

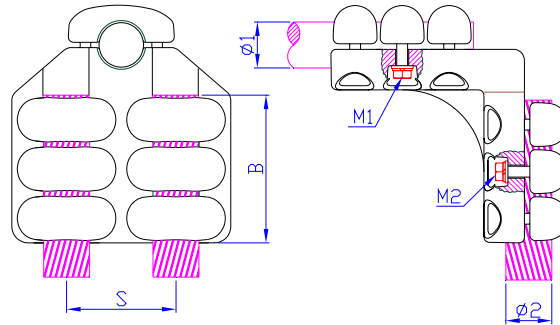
### Cable to Cable



Catalogue Number	Conductor Range (mm)		Dimensions (mm)				
	( $\phi 1$ )	( $\phi 2$ )	S	A	B	M1	M2
SDE21-1919	12-19	12-19	100	120	120	10	10
SDE22-1919			200				
SDE21-1927		19-27	100	120	120	10	10
SDE22-1927			200				
SDE21-1933		26-33	100	120	125	10	10
SDE22-1933			200				
SDE21-1942		36-42	100	120	130	10	10
SDE22-1942			200				
SDE21-2719	19-27	12-19	100	120	120	10	10
SDE21-2719			200				
SDE21-2727		19-27	100	120	120	10	10
SDE21-2727			200				
SDE21-2733		26-33	100	120	125	10	10
SDE21-2733			200				
SDE21-2742		36-42	100	120	130	10	10
SDE21-2742			200				
SDE21-3319	26-33	12-19	100	125	120	10	10
SDE22-3319			200				
SDE21-3327		19-27	100	125	120	10	10
SDE22-3327			200				
SDE21-3333		26-33	100	125	125	10	10
SDE22-3333			200				
SDE21-3342		36-42	100	125	130	10	10
SDE22-3342			200				
SDE21-4219	36-42	12-19	100	130	120	10	10
SDE22-4219			200				
SDE21-4227		19-27	100	130	120	10	10
SDE22-4227			200				
SDE21-4233		26-33	100	130	125	10	10
SDE22-4233			200				
SDE21-4242		36-42	100	130	130	10	10
SDE22-4242			200				

## SINGLE DUPLEX ELBOW

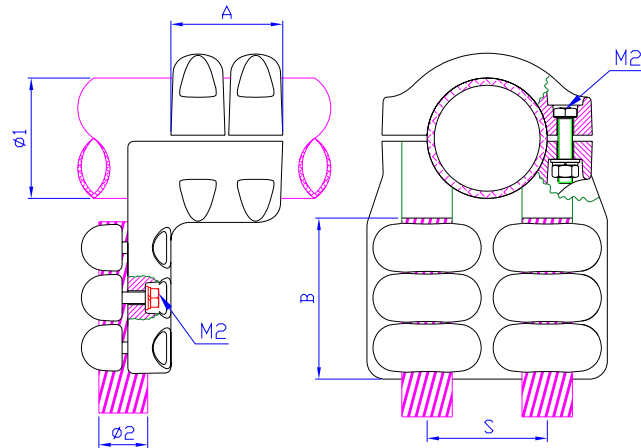
### Stud to Cable



Catalogue Number	Conductor Range (mm)		Dimensions (mm)				
	( $\phi 1$ )	( $\phi 2$ )	S	A	B	M1	M2
SDE21-3019	30	12-19	100	125	120	10	10
SDE22-3019			200				
SDE21-3027		19-27	100				
SDE22-3027			200				
SDE21-3033		26-33	100				
SDE22-3033			200				
SDE21-3042		36-42	100				
SDE22-3042			200				
SDE21-3219	32	12-19	100	125	120	10	10
SDE22-3219			200				
SDE21-3227		19-27	100				
SDE22-3227			200				
SDE21-3233		26-33	100				
SDE22-3233			200				
SDE21-3242		36-42	100				
SDE22-3242			200				
SDE21-4019	40	12-19	100	130	120	10	10
SDE22-4019			200				
SDE21-4027		19-27	100				
SDE22-4027			200				
SDE21-4033		26-33	100				
SDE22-4033			200				
SDE21-4042		36-42	100				
SDE22-4042			200				
SDE21-4219	42	12-19	100	130	120	10	10
SDE22-4219			200				
SDE21-4227		19-27	100				
SDE22-4227			200				
SDE21-4233		26-33	100				
SDE22-4233			200				
SDE21-4242		36-42	100				
SDE22-4242			200				

## SINGLE DUPLEX ELBOW

### Tube to Cable



Catalogue Number	Conductor Range (mm)		Dimensions (mm)				
	$(\phi 1)$	$(\phi 2)$	S	A	B	M1	M2
SDE21-5019	50	12-19	100	93	120	12	10
SDE22-5019			200				
SDE21-5027		19-27	100				
SDE22-5027			200				
SDE21-5033		26-33	100				
SDE22-5033			200				
SDE21-5042		36-42	100				
SDE22-5042			200				
SDE21-6019	60	12-19	100	93	120	12	10
SDE22-6019			200				
SDE21-6027		19-27	100				
SDE22-6027			200				
SDE21-6033		26-33	100				
SDE22-6033			200				
SDE21-6042		36-42	100				
SDE22-6042			200				
SDE21-8019	80	12-19	100	93	120	12	10
SDE22-8019			200				
SDE21-8027		19-27	100				
SDE22-8027			200				
SDE21-8033		26-33	100				
SDE22-8033			200				
SDE21-8042		36-42	100				
SDE22-8042			200				

Continued on next page

## SINGLE DUPLEX ELBOW

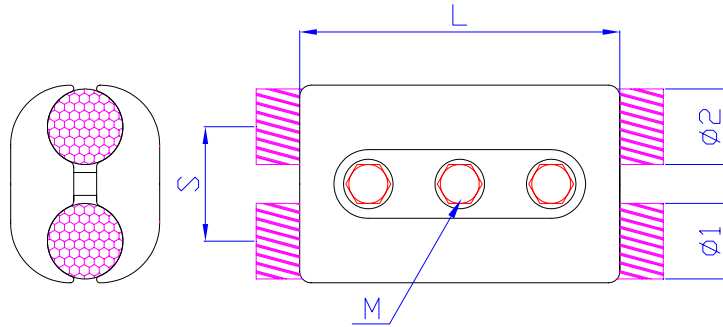
### Tube to Cable

Continued

Catalogue Number	Conductor Range (mm)		Dimensions (mm)				
	( $\phi 1$ )	( $\phi 2$ )	S	A	B	M1	M2
SDE11-1019	100	12-19	100	93	120	12	10
SDE12-1019			200				
SDE11-1027		19-27	100	93	120	12	10
SDE12-1027			200				
SDE11-1033		26-33	100	93	125	12	10
SDE12-1033			200				
SDE11-1042		36-42	100	93	130	12	10
SDE12-1042			200				
SDE11-1219	120	12-19	100	93	120	12	10
SDE12-1219			200				
SDE11-1227		19-27	100	93	120	12	10
SDE12-1227			200				
SDE11-1233		26-33	100	93	125	12	10
SDE12-1233			200				
SDE11-1242		36-42	100	93	130	12	10
SDE12-1242			200				
SDE11-1619	160	12-19	100	103	120	12	10
SDE12-1619			200				
SDE11-1627		19-27	100	103	120	12	10
SDE12-1627			200				
SDE11-1633		26-33	100	103	125	12	10
SDE12-1633			200				
SDE11-1642		36-42	100	103	130	12	10
SDE12-1642			200				
SDE11-2019	200	12-19	100	127	120	14	10
SDE12-2019			200				
SDE11-2027		19-27	100	127	120	14	10
SDE12-2027			200				
SDE11-2033		26-33	100	127	125	14	10
SDE12-2033			200				
SDE11-2042		36-42	100	127	130	14	10
SDE12-2042			200				
SDE11-2519	250	12-19	100	127	120	14	10
SDE12-2519			200				
SDE11-2527		19-27	100	127	120	14	10
SDE12-2527			200				
SDE11-2533		26-33	100	127	125	14	10
SDE12-2533			200				
SDE11-2542		36-42	100	127	130	14	10
SDE12-2542			200				

## PARALLEL CLAMPS

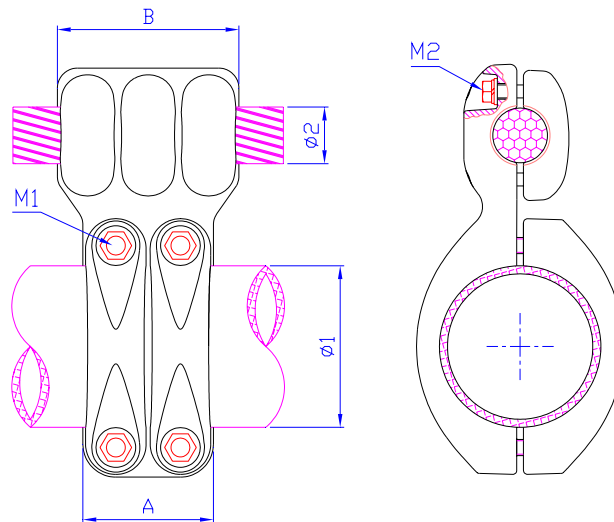
Cable to Cable



Catalogue Number	Conductor Range (mm)		Dimensions (mm)		
	( $\phi 1$ )	( $\phi 2$ )	S	L	M
PC-1919	12-19	12-19	50	135	10
PC-1927		19-27	50	135	10
PC-1933		26-33	50	135	10
PC-1942		36-42	60	135	10
PC-2719	19-27	12-19	50	135	10
PC-2727		19-27	50	135	10
PC-2733		26-33	50	135	10
PC-2742		36-42	60	135	10
PC-3319	26-33	12-19	50	135	10
PC-3327		19-27	50	135	10
PC-3333		26-33	50	135	10
PC-3342		36-42	60	135	10
PC-4219	36-42	12-19	50	135	10
PC-4227		19-27	50	135	10
PC-4233		26-33	50	135	10
PC-4242		36-42	60	135	10

## PARALLEL CLAMPS

### Tube to Cable



Catalogue Number	Conductor Range (mm)		Dimensions (mm)			
	( $\phi 1$ )	( $\phi 2$ )	A	B	M1	M2
PC2-5019	50	12-19	93	77	12	10
PC2-5027		19-27	93	77	12	10
PC2-5033		26-33	93	77	12	10
PC2-5042		36-42	93	77	12	10
PC2-6019	60	12-19	93	77	12	10
PC2-6027		19-27	93	77	12	10
PC2-6033		26-33	93	77	12	10
PC2-6042		36-42	93	77	12	10
PC2-8019	80	12-19	93	77	12	10
PC2-8027		19-27	93	77	12	10
PC2-8033		26-33	93	77	12	10
PC2-8042		36-42	93	77	12	10
PC2-1019	100	12-19	93	77	12	10
PC2-1027		19-27	93	77	12	10
PC2-1033		26-33	93	77	12	10
PC2-1042		36-42	93	77	12	10
PC2-1219	120	12-19	93	77	12	10
PC2-1227		19-27	93	77	12	10
PC2-1233		26-33	93	77	12	10
PC2-1242		36-42	93	77	12	10

Continued on next page

## PARALLEL CLAMPS

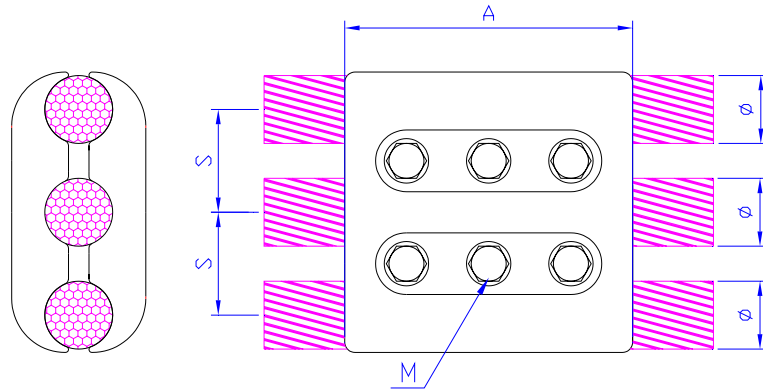
### Tube to Cable

Continued

Catalogue Number	Conductor Range (mm)		Dimensions (mm)			
	Tube( $\phi 1$ )	Cable( $\phi 2$ )	A	B	M1	M2
PC2-1619	160	12-19	103	77	12	10
PC2-1627		19-27	103	77	12	10
PC2-1633		26-33	103	77	12	10
PC2-1642		36-42	103	77	12	10
PC2-2019	200	12-19	127	77	14	10
PC2-2027		19-27	127	77	14	10
PC2-2033		26-33	127	77	14	10
PC2-2042		36-42	127	77	14	10
PC2-2519	250	12-19	127	77	14	10
PC2-2527		19-27	127	77	14	10
PC2-2533		26-33	127	77	14	10
PC2-2542		36-42	127	77	14	10

## Triple PARALLEL CLAMPS

### Three Cable

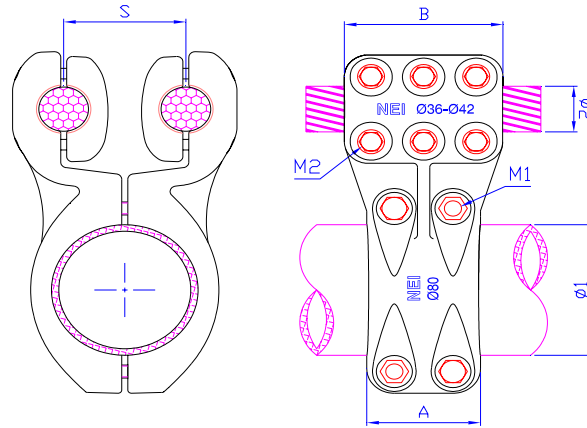


Catalogue Number	Conductor Range (mm) ( $\phi$ )	Dimensions (mm)		
		A	S	M
PC3-1919	12-19	135	50	10
PC3-2727	19-27	135	50	10
PC3-3333	26-33	135	50	10
PC3-4242	36-42	135	60	10



## SINGLE DUPLEX PARALLEL CLAMPS

### Tube to two Cable



Catalogue Number	Conductor Range (mm)		Dimensions (mm)			
	( $\phi 1$ )	( $\phi 2$ )	A	B	M1	M2
PC22-5019	50	12-19	93	77	12	10
PC22-5027		19-27	93	77	12	10
PC22-5033		26-33	93	77	12	10
PC22-5042		36-42	93	77	12	10
PC22-6019	60	12-19	93	77	12	10
PC22-6027		19-27	93	77	12	10
PC22-6033		26-33	93	77	12	10
PC22-6042		36-42	93	77	12	10
PC22-8019	80	12-19	93	77	12	10
PC22-8027		19-27	93	77	12	10
PC22-8033		26-33	93	77	12	10
PC22-8042		36-42	93	77	12	10
PC22-1019	100	12-19	93	77	12	10
PC22-1027		19-27	93	77	12	10
PC22-1033		26-33	93	77	12	10
PC22-1042		36-42	93	77	12	10
PC22-1219	120	12-19	93	77	12	10
PC22-1227		19-27	93	77	12	10
PC22-1233		26-33	93	77	12	10
PC22-1242		36-42	93	77	12	10

Continued on next page

## SINGLE DUPLEX PARALLEL CLAMPS

### Tube to two Cable

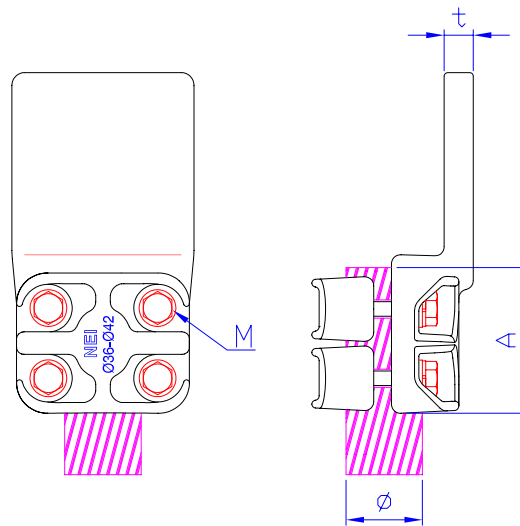
Continued

Catalogue Number	Conductor Range (mm)		Dimensions (mm)			
	Tube( $\phi$ 1)	Cable( $\phi$ 2)	A	B	M1	M2
PC22-1619	160	12-19	103	77	12	10
PC22-1627		19-27	103	77	12	10
PC22-1633		26-33	103	77	12	10
PC22-1642		36-42	103	77	12	10
PC22-2019	200	12-19	127	77	14	10
PC22-2027		19-27	127	77	14	10
PC22-2033		26-33	127	77	14	10
PC22-2042		36-42	127	77	14	10
PC22-2519	250	12-19	127	77	14	10
PC22-2527		19-27	127	77	14	10
PC22-2533		26-33	127	77	14	10
PC22-2542		36-42	127	77	14	10

## TERMINALS

### Flat Terminal

Cable to FLAT

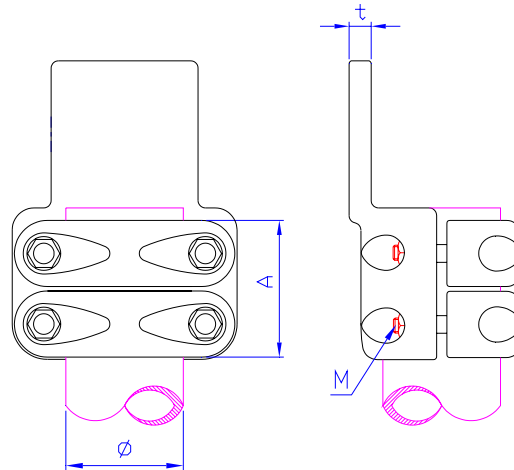


Catalogue Number	Conductor Range( $\phi$ )	Dimensions		
		A	t	M
FT1-19-CD-Nd-EF	12-19	77	16	10
FT1-27-CD-Nd-EF	19-27	77	16	10
FT1-33-CD-Nd-EF	26-33	77	16	10
FT1-42-CD-Nd-EF	36-42	77	16	10

## TERMINALS

### Flat Terminal

#### Tube to FLAT

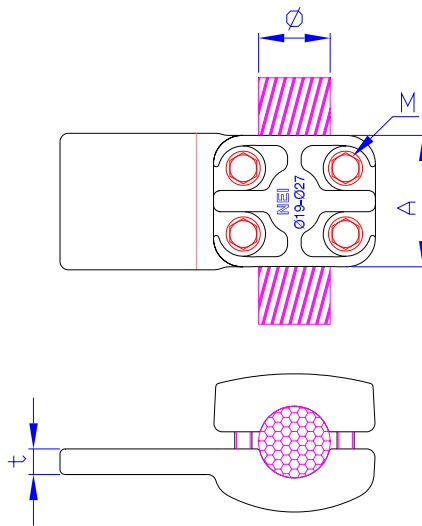


Catalogue Number	Tube Size( $\phi$ )	Dimensions		
		A	t	M
FT1-50-CD-Nd-EF	50	93	20	12
FT1-60-CD-Nd-EF	60	93	20	12
FT1-80-CD-Nd-EF	80	93	20	12
FT1-100-CD-Nd-EF	100	93	20	12
FT1-120-CD-Nd-EF	120	93	20	12
FT1-160-CD-Nd-EF	160	103	20	12
FT1-200-CD-Nd-EF	200	127	20	14
FT1-250-CD-Nd-EF	250	127	20	14

## TERMINALS

### Side Terminal

#### Side Terminal

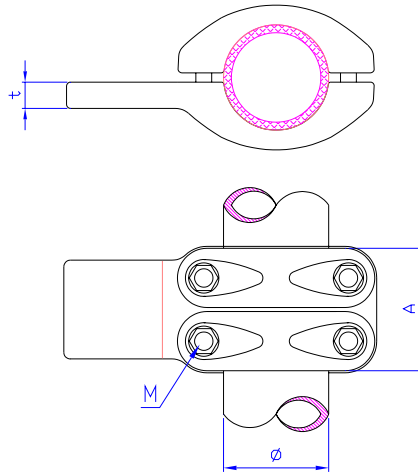


Catalogue Number	Conductor Range( $\phi$ )	Dimensions		
		A	t	M
ST1-19-CD-Nd-EF	12-19	77	16	10
ST1-27-CD-Nd-EF	19-27	77	16	10
ST1-33-CD-Nd-EF	26-33	77	16	10
ST1-42-CD-Nd-EF	36-42	77	16	10

## TERMINALS

### Side Terminal

#### Tube to Flat

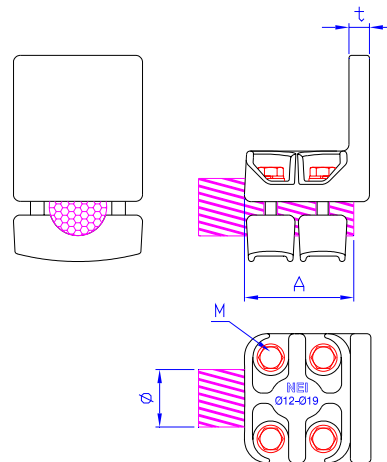


Catalogue Number	Tube Size( $\phi$ )	Dimensions		
		A	t	M
ST-50-CD-Nd-EF	50	93	20	12
ST-60-CD-Nd-EF	60	93	20	12
ST-80-CD-Nd-EF	80	93	20	12
ST-10-CD-Nd-EF	100	93	20	12
ST-12-CD-Nd-EF	120	93	20	12
ST-16-CD-Nd-EF	160	103	20	12
ST-20-CD-Nd-EF	200	127	20	14
ST-25-CD-Nd-EF	250	127	20	14

## TERMINALS

### Vertical Terminal

Cable to Flat

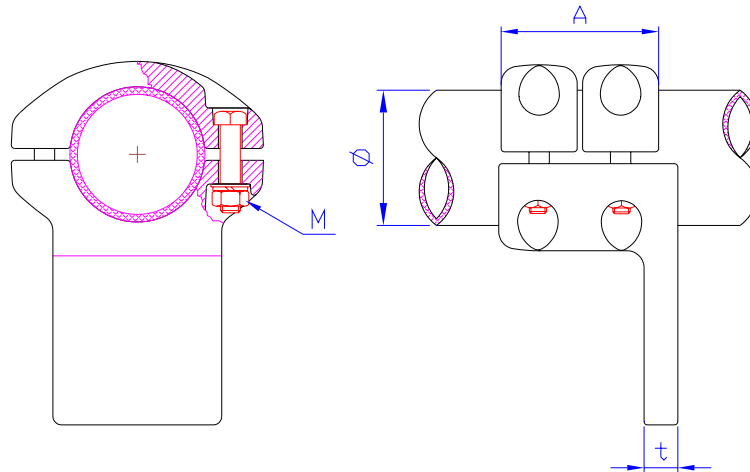


Catalogue Number	Conductor Range( $\phi$ )	Dimensions		
		A	t	M
VT-19-CD-Nd-EF	12-19	77	16	10
VT-27-CD-Nd-EF	19-27	77	16	10
VT-33-CD-Nd-EF	26-33	77	16	10
VT-42-CD-Nd-EF	36-42	77	16	10

## TERMINALS

### Vertical Terminal

Tube to FLAT

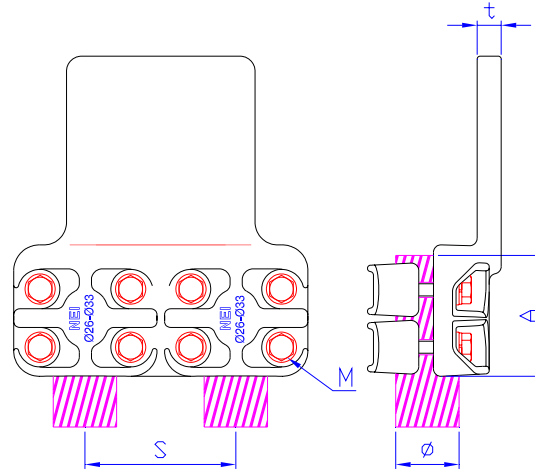


Catalogue Number	Tube Size( $\phi$ )	Dimensions		
		A	t	M
VT-50-CD-Nd-EF	50	93	20	12
VT-60-CD-Nd-EF	60	93	20	12
VT-80-CD-Nd-EF	80	93	20	12
VT-10-CD-Nd-EF	100	93	20	12
VT-12-CD-Nd-EF	120	93	20	12
VT-16-CD-Nd-EF	160	103	20	12
VT-20-CD-Nd-EF	200	127	20	14
VT-25-CD-Nd-EF	250	127	20	14



## TERMINALS

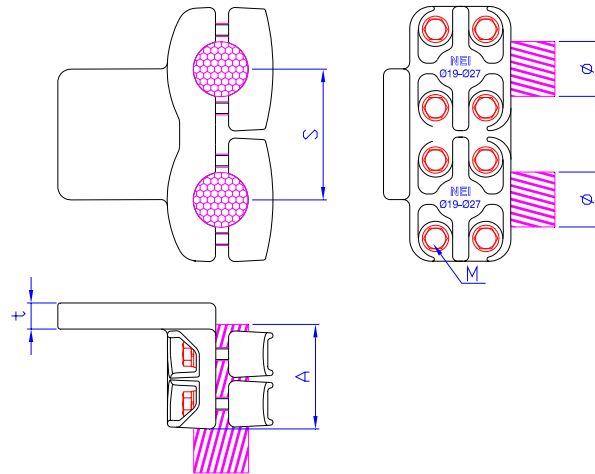
### Double Flat Terminal



Catalogue Number	Fig. No.	Conductor Range (mm) ( $\phi$ )	Dimensions (mm)			
			S	A	T	M
DFT11-19-CD-Nd-EF	1	12-19	100	77	16	10
DFT12-19-CD-Nd-EF	2		200			
DFT11-27-CD-Nd-EF	1	19-27	100	77	16	10
DFT12-27-CD-Nd-EF	2		200			
DFT11-33-CD-Nd-EF	1	26-33	100	77	16	10
DFT12-33-CD-Nd-EF	2		200			
DFT11-42-CD-Nd-EF	1	36-42	100	77	16	10
DFT12-42-CD-Nd-EF	2		200			

## TERMINALS

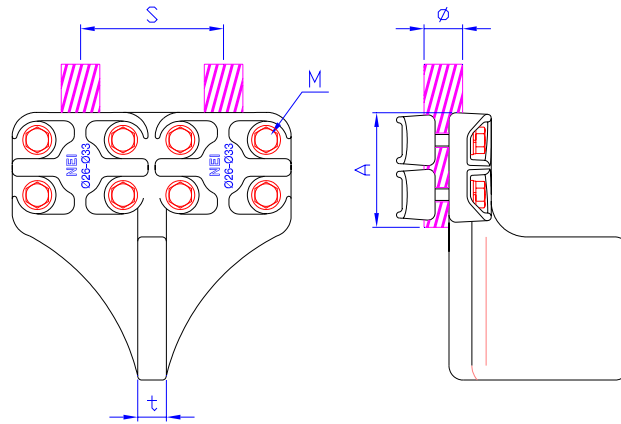
### Double Vertical Terminal



Catalogue Number	Fig. No.	Conductor Range (mm) ( $\phi$ )	Dimensions (mm)			
			S	A	T	M
DVT11-19-CD-Nd-EF	1	12-19	100	77	16	10
DVT12-19-CD-Nd-EF	2		200			
DVT11-27-CD-Nd-EF	1	19-27	100	77	16	10
DVT12-27-CD-Nd-EF	2		200			
DVT11-33-CD-Nd-EF	1	26-33	100	77	16	10
DVT12-33-CD-Nd-EF	2		200			
DVT11-42-CD-Nd-EF	1	36-42	100	77	16	10
DVT12-42-CD-Nd-EF	2		200			

## TERMINALS

### Double Vertical Side Terminal

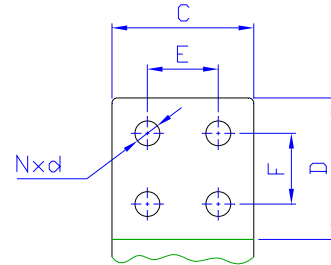


Catalogue Number	Fig. No.	Conductor Range (mm) ( $\phi$ )	Dimensions (mm)			
			S	A	T	M
DVST11-19-CD-Nd-EF	1	12-19	100	77	16	10
DVST12-19-CD-Nd-EF	2		200			
DVST11-27-CD-Nd-EF	1	19-27	100	77	16	10
DVST12-27-CD-Nd-EF	2		200			
DVST11-33-CD-Nd-EF	1	26-33	100	77	16	10
DVST12-33-CD-Nd-EF	2		200			
DVST11-42-CD-Nd-EF	1	36-42	100	77	16	10
DVST12-42-CD-Nd-EF	2		200			

## TERMINALS

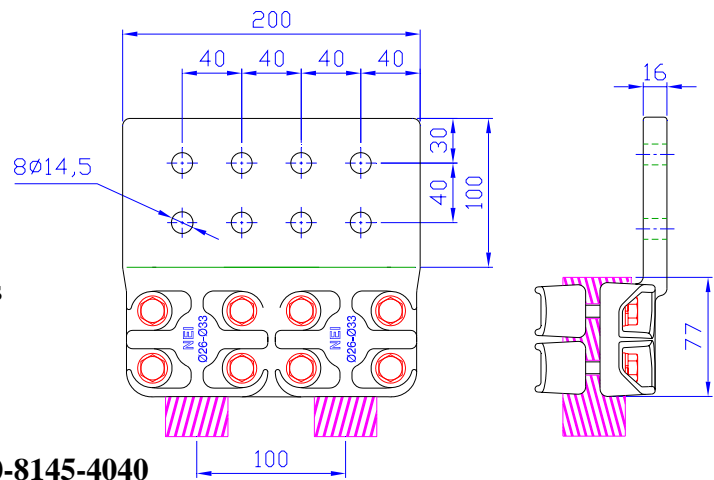
### Selection of Pads

C & D: Dimensions of Pad  
 N: Number of holes  
 d: Diameter of holes  
 E & F: Distances between holes



Example:

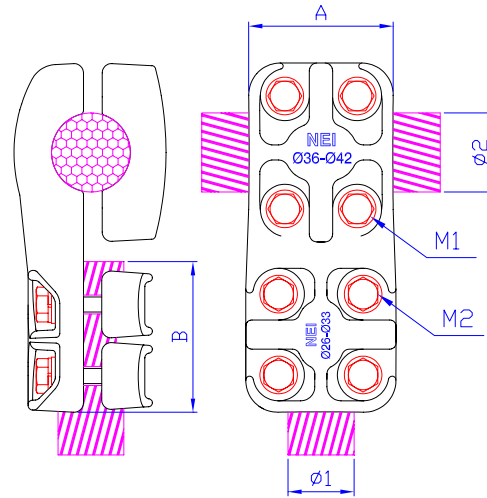
Voltage: 132 kV  
 2 Cable 29.1 mm diameter to Flat  
 Cable distance: 100mm  
 Pad size: 200×100mm  
 8×14.5mm holes with 40mm distances



Catalogue number: **DFT11-33-200100-8145-4040**

## T-CONNECTORS

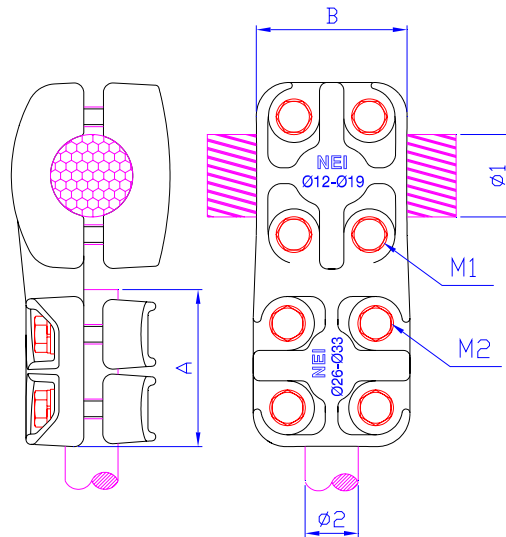
### Cable to Cable



Catalogue Number	Conductor Range (mm)		Dimensions (mm)			
	( $\phi 1$ )	( $\phi 2$ )	A	B	M1	M2
TC1-1919	12-19	12-19	77	77	10	10
TC1-1927		19-27	77	77	10	10
TC1-1933		26-33	77	77	10	10
TC1-1942		36-42	77	77	10	10
TC1-2719	19-27	12-19	77	77	10	10
TC1-2727		19-27	77	77	10	10
TC1-2733		26-33	77	77	10	10
TC1-2742		36-42	77	77	10	10
TC1-3319	26-33	12-19	77	77	10	10
TC1-3327		19-27	77	77	10	10
TC1-3333		26-33	77	77	10	10
TC1-3342		36-42	77	77	10	10
TC1-3719	32-37	12-19	77	77	10	10
TC1-3727		19-27	77	77	10	10
TC1-3733		26-33	77	77	10	10
TC1-3742		36-42	77	77	10	10
TC1-4219	36-42	12-19	77	77	10	10
TC1-4227		19-27	77	77	10	10
TC1-4233		26-33	77	77	10	10
TC1-4242		36-42	77	77	10	10

## T-CONNECTORS

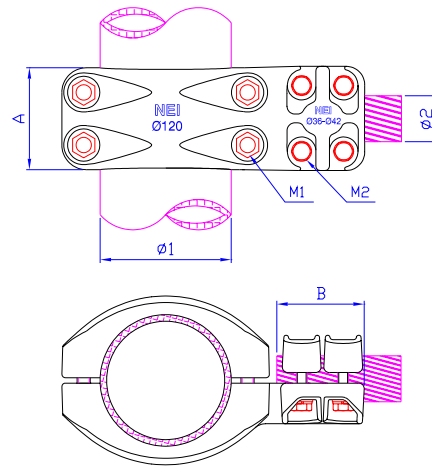
### Stud to Cable



Catalogue Number	Conductor Range (mm)		Dimensions (mm)			
	Stud( $\phi 1$ )	Cable( $\phi 2$ )	A	B	M1	M2
TC1-3019	30	12-19	77	77	10	10
TC1-3027		19-27	77	77	10	10
TC1-3033		26-33	77	77	10	10
TC1-3042		36-42	77	77	10	10
TC1-3219	32	12-19	77	77	10	10
TC1-3227		19-27	77	77	10	10
TC1-3233		26-33	77	77	10	10
TC1-3237		32-37	77	77	10	10
TC1-4019	40	12-19	77	77	10	10
TC1-4027		19-27	77	77	10	10
TC1-4033		26-33	77	77	10	10
TC1-4042		36-42	77	77	10	10
TC1-4219	42	12-19	77	77	10	10
TC1-4227		19-27	77	77	10	10
TC1-4233		26-33	77	77	10	10
TC1-4242		36-42	77	77	10	10

## T-CONNECTORS

### Tube to Cable



Catalogue Number	Conductor Range (mm)		Dimensions (mm)			
	Tube( $\phi 1$ )	Cable( $\phi 2$ )	A	B	M1	M2
TC1-5019	50	12-19	93	77	12	10
TC1-5027		19-27	93	77	12	10
TC1-5033		26-33	93	77	12	10
TC1-5042		36-42	93	77	12	10
TC1-6019	60	12-19	93	77	12	10
TC1-6027		19-27	93	77	12	10
TC1-6033		26-33	93	77	12	10
TC1-6042		36-42	93	77	12	10
TC1-8019	80	12-19	93	77	12	10
TC1-8027		19-27	93	77	12	10
TC1-8033		26-33	93	77	12	10
TC1-8042		36-42	93	77	12	10
TC1-1019	100	12-19	93	77	12	10
TC1-1027		19-27	93	77	12	10
TC1-1033		26-33	93	77	12	10
TC1-1042		36-42	93	77	12	10
TC1-1219	120	12-19	93	77	12	10
TC1-1227		19-27	93	77	12	10
TC1-1233		26-33	93	77	12	10
TC1-1242		36-42	93	77	12	10

Continued on next page

## T-CONNECTORS

### Tube to Cable

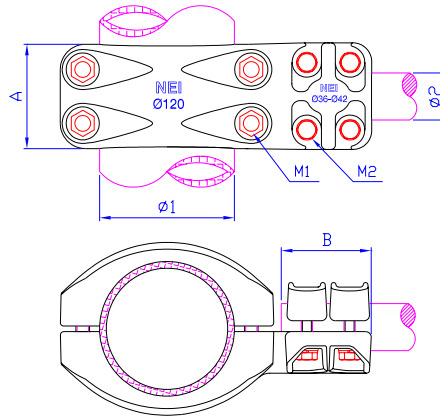
Continued

Catalogue Number	Conductor Range (mm)		Dimensions (mm)			
	Tube( $\phi 1$ )	Cable( $\phi 2$ )	A	B	M1	M2
TC1-1619	160	12-19	103	77	12	10
TC1-1627		19-27	103	77	12	10
TC1-1633		26-33	103	77	12	10
TC1-1642		36-42	103	77	12	10
TC1-2019	200	12-19	127	77	14	10
TC1-2027		19-27	127	77	14	10
TC1-2033		26-33	127	77	14	10
TC1-2042		36-42	127	77	14	10
TC1-2519	250	12-19	127	77	14	10
TC1-2527		19-27	127	77	14	10
TC1-2533		26-33	127	77	14	10
TC1-2542		36-42	127	77	14	10



## T-CONNECTORS

### Tube to Stud



Catalogue Number	Tube & Stud size (mm)		Dimensions (mm)			
	Tube( $\phi 1$ )	Stud( $\phi 2$ )	A	B	M1	M2
TC1-5030	50	30	93	77	12	10
TC1-5032		32	93	77	12	10
TC1-5040		40	93	77	12	10
TC1-5042		42	93	77	12	10
TC1-6030	60	30	93	77	12	10
TC1-6032		32	93	77	12	10
TC1-6040		40	93	77	12	10
TC1-6042		42	93	77	12	10
TC1-8030	80	30	93	77	12	10
TC1-8032		32	93	77	12	10
TC1-8040		40	93	77	12	10
TC1-8042		42	93	77	12	10
TC1-1030	100	30	93	77	12	10
TC1-1032		32	93	77	12	10
TC1-1040		40	93	77	12	10
TC1-1042		42	93	77	12	10
TC1-1230	120	30	93	77	12	10
TC1-1232		32	93	77	12	10
TC1-1240		40	93	77	12	10
TCT1-1242		42	93	77	12	10

## T-CONNECTORS

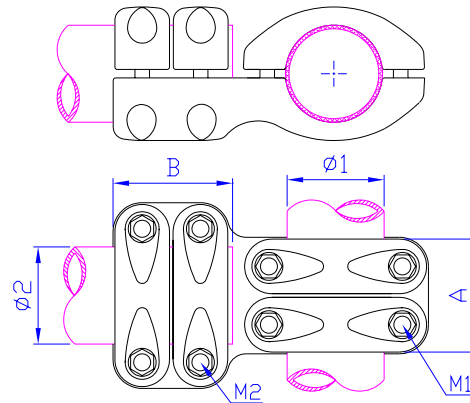
### Tube to Stud

Continued

Catalogue Number	Conductor Range (mm)		Dimensions (mm)			
	Tube( $\phi$ 1)	Stud( $\phi$ 2)	A	B	M1	M2
TC1-1630	160	30	103	77	12	10
TC1-1632		32	103	77	12	10
TC1-1640		40	103	77	12	10
TC1-1642		42	103	77	12	10
TC1-2030	200	30	127	77	14	10
TC1-2032		32	127	77	14	10
TC1-2040		40	127	77	14	10
TC1-2042		42	127	77	14	10
TC1-2530	250	30	127	77	14	10
TC1-2532		32	127	77	14	10
TC1-2540		40	127	77	14	10
TC1-2542		42	127	77	14	10

## T-CONNECTORS

### Tube to Tube



Catalogue Number	Tube size (mm)		Dimensions (mm)			
	( $\phi 1$ )	( $\phi 2$ )	A	B	M1	M2
TC1-5050	50	50	93	93	12	12
TC1-5060		60	93	93	12	12
TC1-5080		80	93	93	12	12
TC1-5010		100	93	93	12	12
TC1-5012		120	93	93	12	12
TC1-5016		160	93	103	12	12
TC1-5020		200	93	127	12	14
TC1-5025		250	93	127	12	14
TC1-6050	60	50	93	93	12	12
TC1-6060		60	93	93	12	12
TC1-6080		80	93	93	12	12
TC1-6010		100	93	93	12	12
TC1-6012		120	93	93	12	12
TC1-6016		160	93	103	12	12
TC1-6020		200	93	127	12	14
TC1-6025		250	93	127	12	14
TC1-8050	80	50	93	93	12	12
TC1-8060		60	93	93	12	12
TC1-8080		80	93	93	12	12
TC1-8010		100	93	93	12	12
TC1-8012		120	93	93	12	12
TC1-8016		160	93	103	12	12
TC1-8020		200	93	127	12	14
TC1-8025		250	93	127	12	14
TC1-1050	100	50	93	93	12	12
TC1-1060		60	93	93	12	12
TC1-1080		80	93	93	12	12
TC1-1010		100	93	93	12	12
TC1-1012		120	93	93	12	12
TC1-1016		160	93	103	12	12
TC1-1020		200	93	127	12	14
TC1-1025		250	93	127	12	14

Continued on next page

## T-CONNECTORS

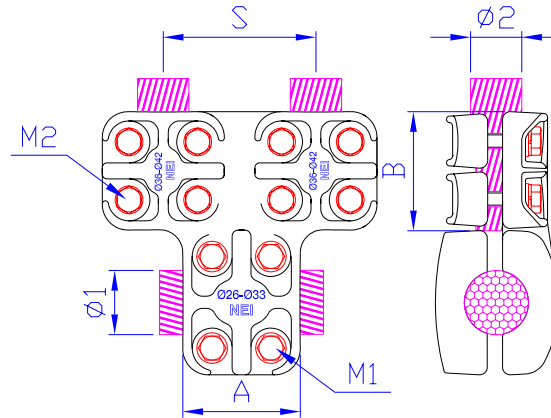
### Tube to Tube

Continued

Catalogue Number	Tube size (mm)		Dimensions (mm)			
	( $\phi 1$ )	( $\phi 2$ )	A	B	M1	M2
TC1-5050	120	50	93	93	12	12
TC1-5060		60	93	93	12	12
TC1-5080		80	93	93	12	12
TC1-5010		100	93	93	12	12
TC1-5012		120	93	93	12	12
TC1-5016		160	93	103	12	12
TC1-5020		200	93	127	12	14
TC1-5025		250	93	127	12	14
TC1-6050	160	50	103	93	12	12
TC1-6060		60	103	93	12	12
TC1-6080		80	103	93	12	12
TC1-6010		100	103	93	12	12
TC1-6012		120	103	93	12	12
TC1-6016		160	103	103	12	12
TC1-6020		200	103	127	12	14
TC1-6025		250	103	127	12	14
TC1-8050	200	50	127	93	14	12
TC1-8060		60	127	93	14	12
TC1-8080		80	127	93	14	12
TC1-8010		100	127	93	14	12
TC1-8012		120	127	93	14	12
TC1-8016		160	127	103	14	12
TC1-8020		200	127	127	14	14
TC1-8025		250	127	127	14	14
TC1-1050	250	50	127	93	14	12
TC1-1060		60	127	93	14	12
TC1-1080		80	127	93	14	12
TC1-1010		100	127	93	14	12
TC1-1012		120	127	93	14	12
TC1-1016		160	127	103	14	12
TC1-1020		200	127	127	14	14
TC1-1025		250	127	127	14	14

## Double T-CONNECTORS

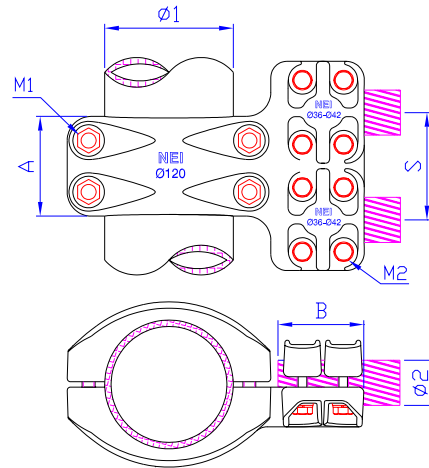
### Cable to Two Cable



Catalogue Number	Conductor Range (mm)		Dimensions (mm)			
	( $\phi 1$ )	( $\phi 2$ )	A	B	M2	M1
TCD1-1919	12-19	12-19	77	77	10	10
TCD1-1927		19-27	77	77	10	10
TCD1-1933		26-33	77	77	10	10
TCD1-1942		36-42	77	77	10	10
TCD1-2719	19-27	12-19	77	77	10	10
TCD1-2727		19-27	77	77	10	10
TCD1-2733		26-33	77	77	10	10
TCD1-2742		36-42	77	77	10	10
TCD1-3319	26-33	12-19	77	77	10	10
TCD1-3327		19-27	77	77	10	10
TCD1-3333		26-33	77	77	10	10
TCD1-3342		36-42	77	77	10	10
TCD1-4219	36-42	12-19	77	77	10	10
TCD1-4227		19-27	77	77	10	10
TCD1-4233		26-33	77	77	10	10
TCD1-4242		36-42	77	77	10	10

## Double T-CONNECTORS

### Tube to two Cable



Catalogue Number	Conductor Range (mm)		Dimensions (mm)			
	Tube( $\phi 1$ )	Cable( $\phi 2$ )	A	B	M1	M2
TCD1-5019	50	12-19	93	77	12	10
TCD1-5027		19-27	93	77	12	10
TCD1-5033		26-33	93	77	12	10
TCD1-5042		36-42	93	77	12	10
TCD1-6019	60	12-19	93	77	12	10
TCD1-6027		19-27	93	77	12	10
TCD1-6033		26-33	93	77	12	10
TCD1-6042		36-42	93	77	12	10
TCD1-8019	80	12-19	93	77	12	10
TCD1-8027		19-27	93	77	12	10
TCD1-8033		26-33	93	77	12	10
TCD1-8042		36-42	93	77	12	10
TCD1-1019	100	12-19	93	77	12	10
TCD1-1027		19-27	93	77	12	10
TCD1-1033		26-33	93	77	12	10
TCD1-1042		36-42	93	77	12	10
TCD1-1219	120	12-19	93	77	12	10
TCD1-1227		19-27	93	77	12	10
TCD1-1233		26-33	93	77	12	10
TCD1-1242		36-42	93	77	12	10

Continued on next page

## Double T-CONNECTORS

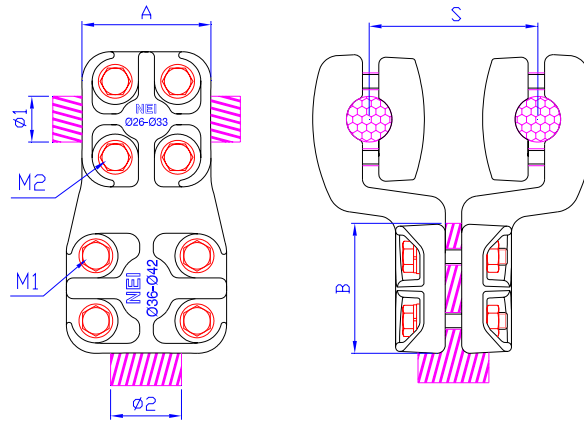
### Tube to two Cable

Continued

Catalogue Number	Conductor Range Tube size (mm)		Dimensions (mm)			
	Tube( $\phi$ 1)	Cable( $\phi$ 2)	A	B	M1	M2
TCD1-1619	160	12-19	103	77	12	10
TCD1-1627		19-27	103	77	12	10
TCD1-1633		26-33	103	77	12	10
TCD1-1642		36-42	103	77	12	10
TCD1-2019	200	12-19	127	77	14	10
TCD1-2027		19-27	127	77	14	10
TCD1-2033		26-33	127	77	14	10
TCD1-2042		36-42	127	77	14	10
TCD1-2519	250	12-19	127	77	14	10
TCD1-2527		19-27	127	77	14	10
TCD1-2533		26-33	127	77	14	10
TCD1-2542		36-42	127	77	14	10

## Single Duplex T-CONNECTORS

### Cable to Two Cable

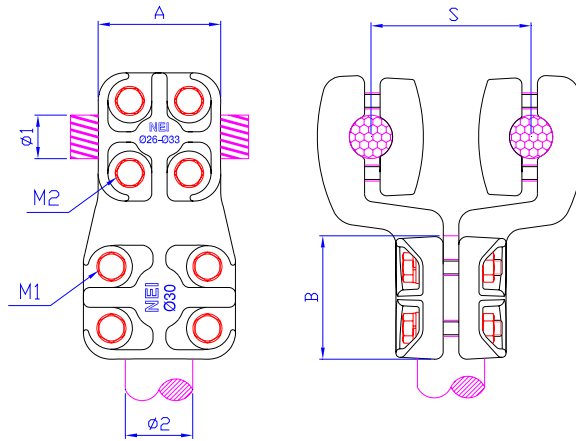


Catalogue Number	Conductor Range (mm)		Dimensions (mm)			
	( $\phi 1$ )	( $\phi 2$ )	A	B	M1	M2
TCS1-1919	12-19	12-19	77	77	10	10
TCS1-1927		19-27	77	77	10	10
TCS1-1933		26-33	77	77	10	10
TCS1-1942		36-42	77	77	10	10
TCS1-2719	19-27	12-19	77	77	10	10
TCS1-2727		19-27	77	77	10	10
TCS1-2733		26-33	77	77	10	10
TCS1-2742		36-42	77	77	10	10
TCS1-3319	26-33	12-19	77	77	10	10
TCS1-3327		19-27	77	77	10	10
TCS1-3333		26-33	77	77	10	10
TCS1-3342		36-42	77	77	10	10
TCS1-4219	36-42	12-19	77	77	10	10
TCS1-4227		19-27	77	77	10	10
TCS1-4233		26-33	77	77	10	10
TCS1-4242		36-42	77	77	10	10



## Single Duplex T-CONNECTORS

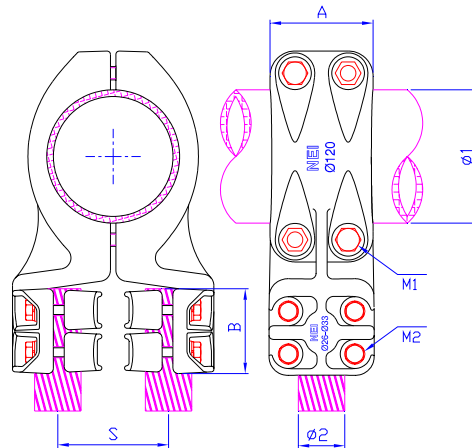
### Stud to Two Cable



Catalogue Number	Conductor Range (mm)		Dimensions (mm)			
	Stud( $\phi 1$ )	Cable( $\phi 2$ )	A	B	M1	M2
TCS1-3019	30	12-19	77	77	10	10
TCS1-3027		19-27	77	77	10	10
TCS1-3033		26-33	77	77	10	10
TCS1-3042		36-42	77	77	10	10
TCS1-3219	32	12-19	77	77	10	10
TCS1-3227		19-27	77	77	10	10
TCS1-3233		26-33	77	77	10	10
TCS1-3237		32-37	77	77	10	10
TCS1-4019	40	12-19	77	77	10	10
TCS1-4027		19-27	77	77	10	10
TCS1-4033		26-33	77	77	10	10
TCS1-4042		36-42	77	77	10	10
TCS1-4219	42	12-19	77	77	10	10
TCS1-4227		19-27	77	77	10	10
TCS1-4233		26-33	77	77	10	10
TCS1-4242		36-42	77	77	10	10

## Single Duplex T-CONNECTORS

### Tube to two Cable



Catalogue Number	Conductor Range Tube size (mm)		Dimensions (mm)			
	Tube( $\phi 1$ )	Cable( $\phi 2$ )	A	B	M1	M2
TCS1-5019	50	12-19	93	77	12	10
TCS1-5027		19-27	93	77	12	10
TCS1-5033		26-33	93	77	12	10
TCS1-5042		36-42	93	77	12	10
TCS1-6019	60	12-19	93	77	12	10
TCS1-6027		19-27	93	77	12	10
TCS1-6033		26-33	93	77	12	10
TCS1-6042		36-42	93	77	12	10
TCS1-8019	80	12-19	93	77	12	10
TCS1-8027		19-27	93	77	12	10
TCS1-8033		26-33	93	77	12	10
TCS1-8042		36-42	93	77	12	10
TCS1-1019	100	12-19	93	77	12	10
TCS1-1027		19-27	93	77	12	10
TCS1-1033		26-33	93	77	12	10
TCS1-1042		36-42	93	77	12	10
TCS1-1219	120	12-19	93	77	12	10
TCS1-1227		19-27	93	77	12	10
TCS1-1233		26-33	93	77	12	10
TCS1-1242		36-42	93	77	12	10

Continued on next page

## Single Duplex T-CONNECTORS

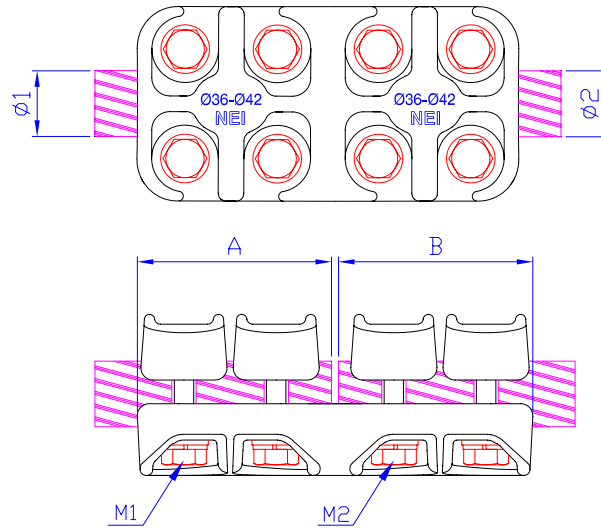
### Tube to two Cable

Continued

Catalogue Number	Conductor Range (mm)		Dimensions (mm)			
	Tube( $\phi$ 1)	Cable( $\phi$ 2)	A	B	M1	M2
TCS1-1619	160	12-19	103	77	12	10
TCS1-1627		19-27	103	77	12	10
TCS1-1633		26-33	103	77	12	10
TCS1-1642		36-42	103	77	12	10
TCS1-2019	200	12-19	127	77	14	10
TCS1-2027		19-27	127	77	14	10
TCS1-2033		26-33	127	77	14	10
TCS1-2042		36-42	127	77	14	10
TCS1-2519	250	12-19	127	77	14	10
TCS1-2527		19-27	127	77	14	10
TCS1-2533		26-33	127	77	14	10
TCS1-2542		36-42	127	77	14	10

## STRAIGHT COUPLER

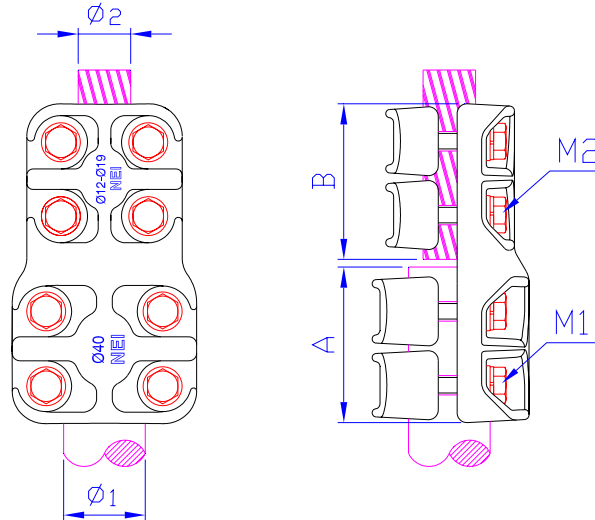
### Cable to Cable



Catalogue Number	Conductor Range (mm)		Dimensions (mm)			
	( $\phi 1$ )	( $\phi 2$ )	A	B	M1	M2
C01-1919	12-19	12-19	77	77	10	10
C01-1927		19-27	77	77	10	10
C01-1933		26-33	77	77	10	10
C01-1942		36-42	77	77	10	10
C01-2719	19-27	12-19	77	77	10	10
C01-2727		19-27	77	77	10	10
C01-2733		26-33	77	77	10	10
C01-2742		36-42	77	77	10	10
C01-3319	26-33	12-19	77	77	10	10
C01-3327		19-27	77	77	10	10
C01-3333		26-33	77	77	10	10
C01-3342		36-42	77	77	10	10
C01-4219	36-42	12-19	77	77	10	10
C01-4227		19-27	77	77	10	10
C01-4233		26-33	77	77	10	10
C01-4242		36-42	77	77	10	10

## STRAIGHT COUPLER

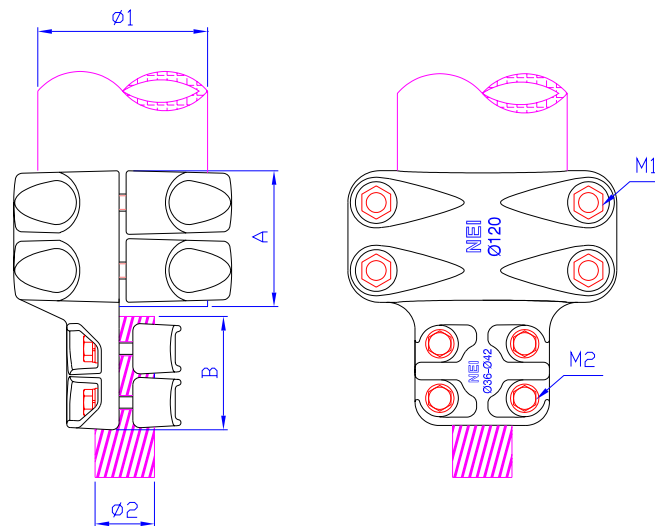
### Stud to Cable



Catalogue Number	Conductor Range (mm)		Dimensions (mm)			
	Stud( $\phi 1$ )	Cable( $\phi 2$ )	A	B	M1	M2
C01-3019	30	12-19	77	77	10	10
C01-3027		19-27	77	77	10	10
C01-3033		26-33	77	77	10	10
C01-3042		36-42	77	77	10	10
C01-3219	32	12-19	77	77	10	10
C01-3227		19-27	77	77	10	10
C01-3233		26-33	77	77	10	10
C01-3242		36-42	77	77	10	10
C01-4019	40	12-19	77	77	10	10
C01-4027		19-27	77	77	10	10
C01-4033		26-33	77	77	10	10
C01-4042		36-42	77	77	10	10
C01-4219	42	12-19	77	77	10	10
C01-4227		19-27	77	77	10	10
C01-4233		26-33	77	77	10	10
C01-4242		36-42	77	77	10	10
C01-5019	50	12-19	77	77	12	10
C01-5027		19-27	77	77	12	10
C01-5033		26-33	77	77	12	10
C01-5042		36-42	77	77	12	10
C01-6019	60	12-19	77	77	12	10
C01-6027		19-27	77	77	12	10
C01-6033		26-33	77	77	12	10
C01-6042		36-42	77	77	12	10

## STRAIGHT COUPLER

### Tube to Cable



Catalogue Number	Conductor Range (mm)		Dimensions (mm)			
	Tube( $\phi 1$ )	Cable( $\phi 2$ )	A	B	M1	M2
C01-5019	50	12-19	93	77	12	10
C01-5027		19-27	93	77	12	10
C01-5033		26-33	93	77	12	10
C01-5042		36-42	93	77	12	10
C01-6019	60	12-19	93	77	12	10
C01-6027		19-27	93	77	12	10
C01-6033		26-33	93	77	12	10
C01-6042		36-42	93	77	12	10
C01-8019	80	12-19	93	77	12	10
C01-8027		19-27	93	77	12	10
C01-8033		26-33	93	77	12	10
C01-8042		36-42	93	77	12	10
C01-1019	100	12-19	93	77	12	10
C01-1027		19-27	93	77	12	10
C01-1033		26-33	93	77	12	10
C01-1042		36-42	93	77	12	10
C01-1219	120	12-19	93	77	12	10
C01-1227		19-27	93	77	12	10
C01-1233		26-33	93	77	12	10
C01-1242		36-42	93	77	12	10

Continued on next page

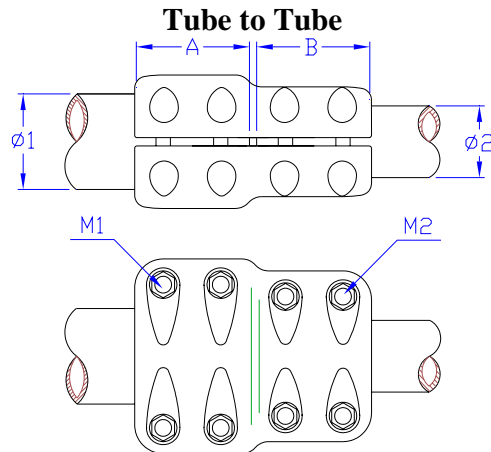
## STRAIGHT COUPLER

### Tube to Cable

Continued

Catalogue Number	Conductor Range (mm)		Dimensions (mm)			
	Tube( $\phi$ 1)	Cable( $\phi$ 2)	A	B	M1	M2
C01-1619	160	12-19	103	77	12	10
C01-1627		19-27	103	77	12	10
C01-1633		26-33	103	77	12	10
C01-1642		36-42	103	77	12	10
C01-2019	200	12-19	127	77	14	10
C01-2027		19-27	127	77	14	10
C01-2033		26-33	127	77	14	10
C01-2042		36-42	127	77	14	10
C01-2519	250	12-19	127	77	14	10
C01-2527		19-27	127	77	14	10
C01-2533		26-33	127	77	14	10
C01-2542		36-42	127	77	14	10

## COUPLERS



Catalogue Number	Tube size (mm)		Dimensions (mm)			
	( $\phi 1$ )	( $\phi 2$ )	A	B	M1	M2
C01-5050	50	50	93	93	12	12
C01-5060		60	93	93	12	12
C01-5080		80	93	93	12	12
C01-5010		100	93	93	12	12
C01-5012		120	93	93	12	12
C01-5016		160	93	103	12	12
C01-5020		200	93	127	12	14
C01-5025		250	93	127	12	14
C01-6050		60	50	93	93	12
C01-6060	60		93	93	12	12
C01-6080	80		93	93	12	12
C01-6010	100		93	93	12	12
C01-6012	120		93	93	12	12
C01-6016	160		93	103	12	12
C01-6020	200		93	127	12	14
C01-6025	250		93	127	12	14
C01-8050	80		50	93	93	12
C01-8060		60	93	93	12	12
C01-8080		80	93	93	12	12
C01-8010		100	93	93	12	12
C01-8012		120	93	93	12	12
C01-8016		160	93	103	12	12
C01-8020		200	93	127	12	14
C01-8025		250	93	127	12	14
C01-1050		100	50	93	93	12
C01-1060	60		93	93	12	12
C01-1080	80		93	93	12	12
C01-1010	100		93	93	12	12
C01-1012	120		93	93	12	12
C01-1016	160		93	103	12	12
C01-1020	200		93	127	12	14
C01-1025	250		93	127	12	14

Continued on next page



## COUPLERS

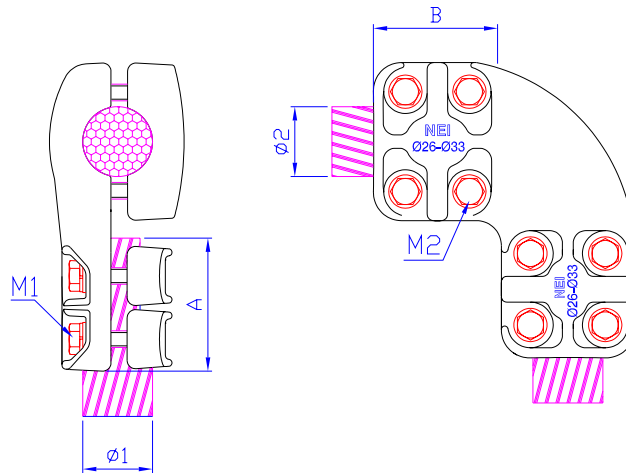
### Tube to Tube

Continued

Catalogue Number	Tube size (mm)		Dimensions (mm)			
	( $\phi 1$ )	( $\phi 2$ )	A	B	M1	M2
C01-1250	120	50	196	93	12	12
C01-1260		60	196	93	12	12
C01-1280		80	196	93	12	12
C01-1210		100	196	93	12	12
C01-1212		120	196	93	12	12
C01-1216		160	206	103	12	12
C01-1220		200	230	127	12	14
C01-1225		250	230	127	12	14
C01-1650		160	50	196	93	12
C01-1660	60		196	93	12	12
C01-1680	80		196	93	12	12
C01-1610	100		196	93	12	12
C01-1612	120		196	93	12	12
C01-1616	160		216	103	12	12
C01-1620	200		230	127	12	14
C01-1625	250		230	127	12	14
C01-2050	200		50	127	93	14
C01-2060		60	127	93	14	12
C01-2080		80	127	93	14	12
C01-2010		100	127	93	14	12
C01-2012		120	127	93	14	12
C01-2016		160	240	103	14	12
C01-2020		200	264	127	14	14
C01-2025		250	264	127	14	14
C01-2550		250	50	127	93	14
C01-2560	60		127	93	14	12
C01-2580	80		127	93	14	12
C01-2510	100		127	93	14	12
C01-2512	120		127	93	14	12
C01-2516	160		240	103	14	12
C01-2520	200		264	127	14	14
C01-2525	250		264	127	14	14

## VERTICAL COUPLER

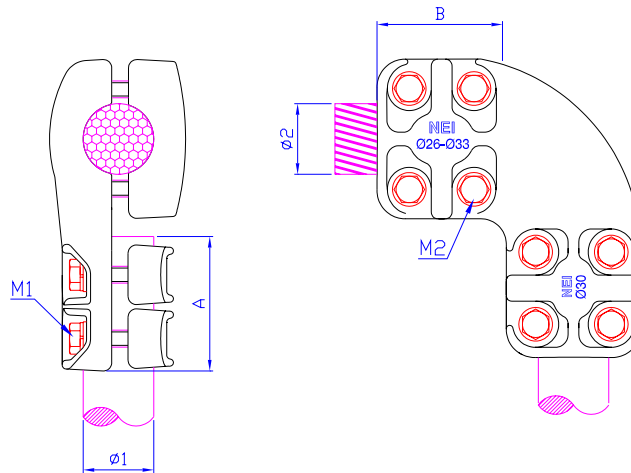
### Cable to Cable



Catalogue Number	Conductor Range (mm)		Dimensions (mm)			
	( $\phi 1$ )	( $\phi 2$ )	A	B	M1	M2
VC1-1919	12-19	12-19	77	77	10	10
VC1-1927		19-27	77	77	10	10
VC1-1933		26-33	77	77	10	10
VC1-1942		36-42	77	77	10	10
VC1-2719	19-27	12-19	77	77	10	10
VC1-2727		19-27	77	77	10	10
VC1-2733		26-33	77	77	10	10
VC1-2742		36-42	77	77	10	10
VC1-3319	26-33	12-19	77	77	10	10
VC1-3327		19-27	77	77	10	10
VC1-3333		26-33	77	77	10	10
VC1-3342		36-42	77	77	10	10
VC1-4219	36-42	12-19	77	77	10	10
VC1-4227		19-27	77	77	10	10
VC1-4233		26-33	77	77	10	10
VC1-4242		36-42	77	77	10	10

## VERTICAL COUPLER

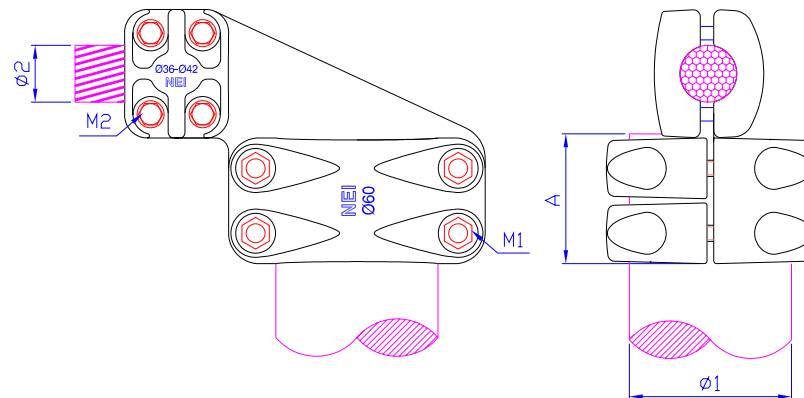
### Stud to Cable



Catalogue Number	Conductor Range (mm)		Dimensions (mm)			
	Stud( $\phi 1$ )	Cable( $\phi 2$ )	A	B	M1	M2
VC1-3019	30	12-19	77	77	10	10
VC1-3027		19-27	77	77	10	10
VC1-3033		26-33	77	77	10	10
VC1-3042		36-42	77	77	10	10
VC1-3219	32	12-19	77	77	10	10
VC1-3227		19-27	77	77	10	10
VC1-3233		26-33	77	77	10	10
VC1-3242		36-42	77	77	10	10
VC1-4019	40	12-19	77	77	10	10
VC1-4027		19-27	77	77	10	10
VC1-4033		26-33	77	77	10	10
VC1-4042		36-42	77	77	10	10
VC1-4219	42	12-19	77	77	10	10
VC1-4227		19-27	77	77	10	10
VC1-4233		26-33	77	77	10	10
VC1-4242		36-42	77	77	10	10

## VERTICAL COUPLER

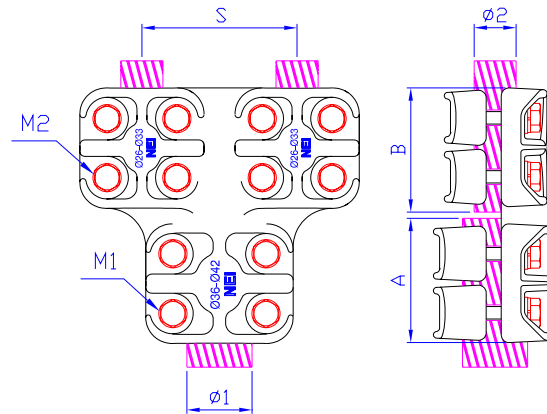
### Tube to Cable



Catalogue Number	Conductor Range (mm)		Dimensions (mm)			
	Stud( $\phi 1$ )	Cable( $\phi 2$ )	A	B	M1	M2
VC1-5019	50	12-19	77	77	12	10
VC1-5027		19-27	77	77	12	10
VC1-5033		26-33	77	77	12	10
VC1-5042		36-42	77	77	12	10
VC1-6019	60	12-19	77	77	12	10
VC1-6027		19-27	77	77	12	10
VC1-6033		26-33	77	77	12	10
VC1-6042		36-42	77	77	12	10

## SINGLE DUPLEX COUPLER

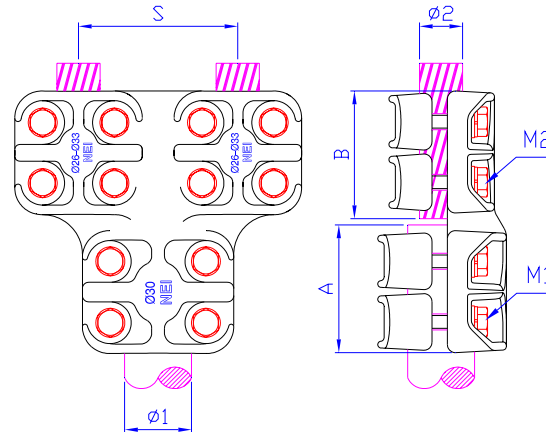
### Cable to Cable



Catalogue Number	Conductor Range (mm)		Dimensions (mm)			
	( $\phi 1$ )	( $\phi 2$ )	A	B	M1	M2
SDC1-1919	12-19	12-19	77	77	10	10
SDC1-1927		19-27	77	77	10	10
SDC1-1933		26-33	77	77	10	10
SDC1-1942		36-42	77	77	10	10
SDC1-2719	19-27	12-19	77	77	10	10
SDC1-2727		19-27	77	77	10	10
SDC1-2733		26-33	77	77	10	10
SDC1-2742		36-42	77	77	10	10
SDC1-3319	26-33	12-19	77	77	10	10
SDC1-3327		19-27	77	77	10	10
SDC1-3333		26-33	77	77	10	10
SDC1-3342		36-42	77	77	10	10
SDC1-4219	36-42	12-19	77	77	10	10
SDC1-4227		19-27	77	77	10	10
SDC1-4233		26-33	77	77	10	10
SDC1-4242		36-42	77	77	10	10

## SINGLE DUPLEX COUPLER

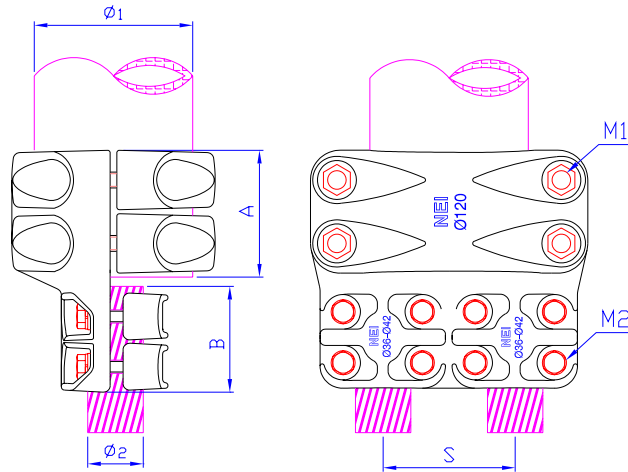
### Stud to Cable



Catalogue Number	Conductor Range (mm)		Dimensions (mm)			
	Stud( $\phi 1$ )	Cable( $\phi 2$ )	A	B	M1	M2
SDC1-3019	30	12-19	77	77	10	10
SDC1-3027		19-27	77	77	10	10
SDC1-3033		26-33	77	77	10	10
SDC1-3042		36-42	77	77	10	10
SDC1-3219	32	12-19	77	77	10	10
SDC1-3227		19-27	77	77	10	10
SDC1-3233		26-33	77	77	10	10
SDC1-3242		36-42	77	77	10	10
SDC1-4019	40	12-19	77	77	10	10
SDC1-4027		19-27	77	77	10	10
SDC1-4033		26-33	77	77	10	10
SDC1-4042		36-42	77	77	10	10
SDC1-4219	42	12-19	77	77	10	10
SDC1-4227		19-27	77	77	10	10
SDC1-4233		26-33	77	77	10	10
SDC1-4242		36-42	77	77	10	10

## SINGLE DUPLEX COUPLER

### Tube to Cable



Catalogue Number	Conductor Range (mm)		Dimensions (mm)			
	Tube( $\phi_1$ )	Cable( $\phi_2$ )	A	B	M1	M2
SDC1-5019	50	12-19	93	77	12	10
SDC1-5027		19-27	93	77	12	10
SDC1-5033		26-33	93	77	12	10
SDC1-5042		36-42	93	77	12	10
SDC1-6019	60	12-19	93	77	12	10
SDC1-6027		19-27	93	77	12	10
SDC1-6033		26-33	93	77	12	10
SDC1-6042		36-42	93	77	12	10
SDC1-8019	80	12-19	93	77	12	10
SDC1-8027		19-27	93	77	12	10
SDC1-8033		26-33	93	77	12	10
SDC1-8042		36-42	93	77	12	10
SDC1-1019	100	12-19	93	77	12	10
SDC1-1027		19-27	93	77	12	10
SDC1-1033		26-33	93	77	12	10
SDC1-1042		36-42	93	77	12	10
SDC1-1219	120	12-19	93	77	12	10
SDC1-1227		19-27	93	77	12	10
SDC1-1233		26-33	93	77	12	10
SDC1-1242		36-42	93	77	12	10

Continued on next page

## SINGLE DUPLEX COUPLER

### Tube to Cable

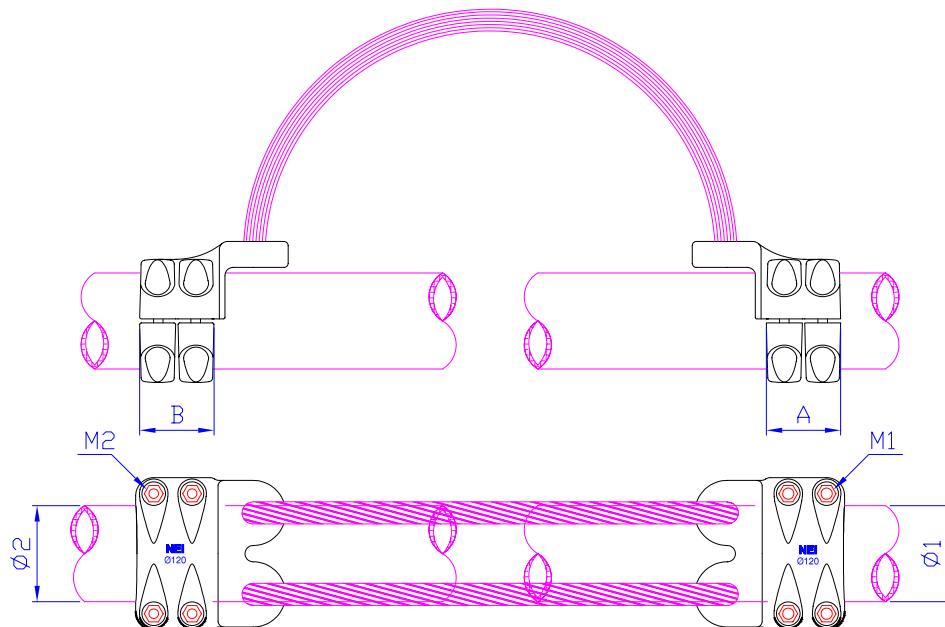
Continued

Catalogue Number	Conductor Range (mm)		Dimensions (mm)			
	Tube( $\phi$ 1)	Cable( $\phi$ 2)	A	B	M1	M2
SDC1-1619	160	12-19	103	77	12	10
SDC1-1627		19-27	103	77	12	10
SDC1-1633		26-33	103	77	12	10
SDC1-1642		36-42	103	77	12	10
SDC1-2019	200	12-19	127	77	14	10
SDC1-2027		19-27	127	77	14	10
SDC1-2033		26-33	127	77	14	10
SDC1-2042		36-42	127	77	14	10
SDC1-2519	250	12-19	127	77	14	10
SDC1-2527		19-27	127	77	14	10
SDC1-2533		26-33	127	77	14	10
SDC1-2542		36-42	127	77	14	10



## Expansions

### Expansion Coupler



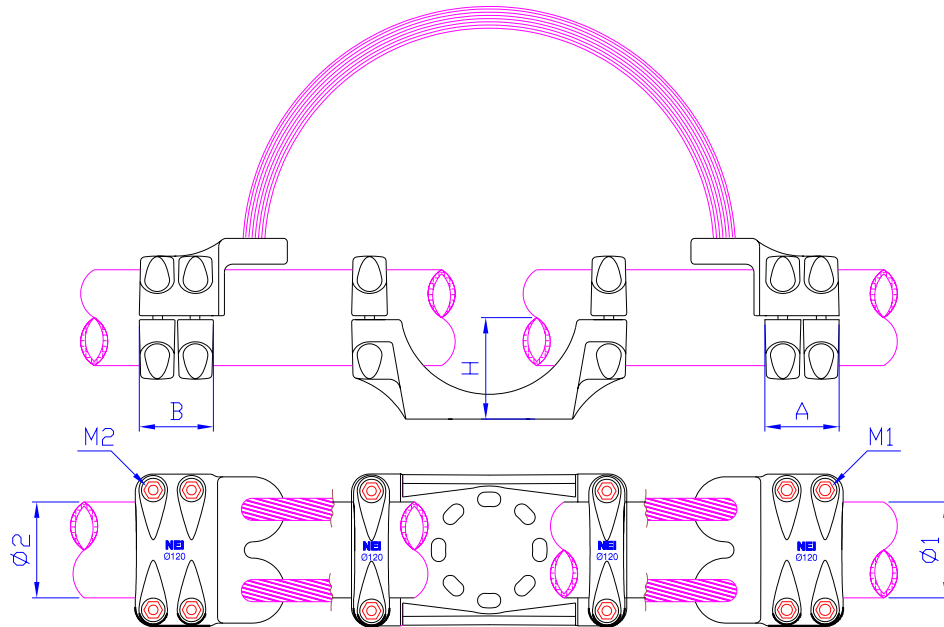
Catalogue Number	Tube Size( $\phi$ )	Dimensions	
		A	M
EXC1-50	50	93	12
EXC1-60	60	93	12
EXC1-80	80	93	12
EXC1-10	100	93	12
EXC1-12	120	93	12
EXC1-16	160	103	12
EXC1-20	200	127	14
EXC1-25	250	127	14

In case of difference between tube sizes, add the second size in front of the catalogue number.

For example: Expansion coupler for tube 100 to tube 120 = EXC-1012

## Expansions

### Expansion Coupler with Support



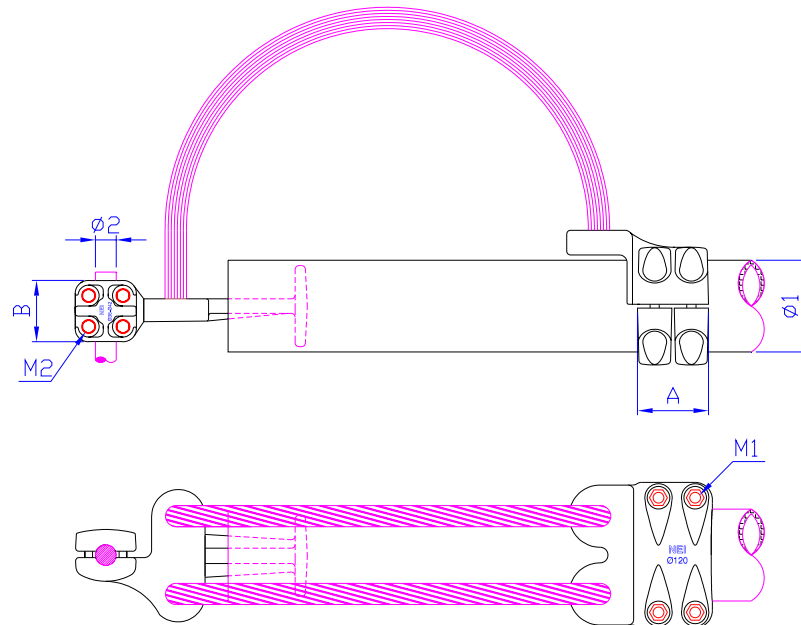
Catalogue Number	Tube Size( $\phi$ )	Dimensions		
		A	H	M
EXC-S-50	50	93	75	12
EXC-S-60	60	93	85	12
EXC-S-80	80	93	95	12
EXC-S-100	100	93	105	12
EXC-S-120	120	93	115	12
EXC-S-160	160	103	135	12
EXC-S-200	200	127	180	14
EXC-S-250	250	127	205	14

In case of difference between tube sizes, add the second size in front of the catalogue number.

For example: Expansion coupler for tube 100 to tube 120 = EXC1-S-1012

## Expansions

### Expansion Connector



Catalogue Number	Tube & Stud size (mm)		Dimensions (mm)			
	Tube( $\phi_1$ )	Stud( $\phi_2$ )	A	B	M1	M2
EXC1-5030	50	30	93	77	12	10
EXC1-5032		32	93	77	12	10
EXC1-5040		40	93	77	12	10
EXC1-5042		42	93	77	12	10
EXC1-6030	60	30	93	77	12	10
EXC1-6032		32	93	77	12	10
EXC1-6040		40	93	77	12	10
EXC1-6042		42	93	77	12	10
EXC1-8030	80	30	93	77	12	10
EXC1-8032		32	93	77	12	10
EXC1-8040		40	93	77	12	10
EXC1-8042		42	93	77	12	10
EXC1-1030	100	30	93	77	12	10
EXC1-1032		32	93	77	12	10
EXC1-1040		40	93	77	12	10
EXC1-1042		42	93	77	12	10
EXC1-1230	120	30	93	77	12	10
EXC1-1232		32	93	77	12	10
EXC1-1240		40	93	77	12	10
EXC1-1242		42	93	77	12	10

## Expansions

### Expansion Connector

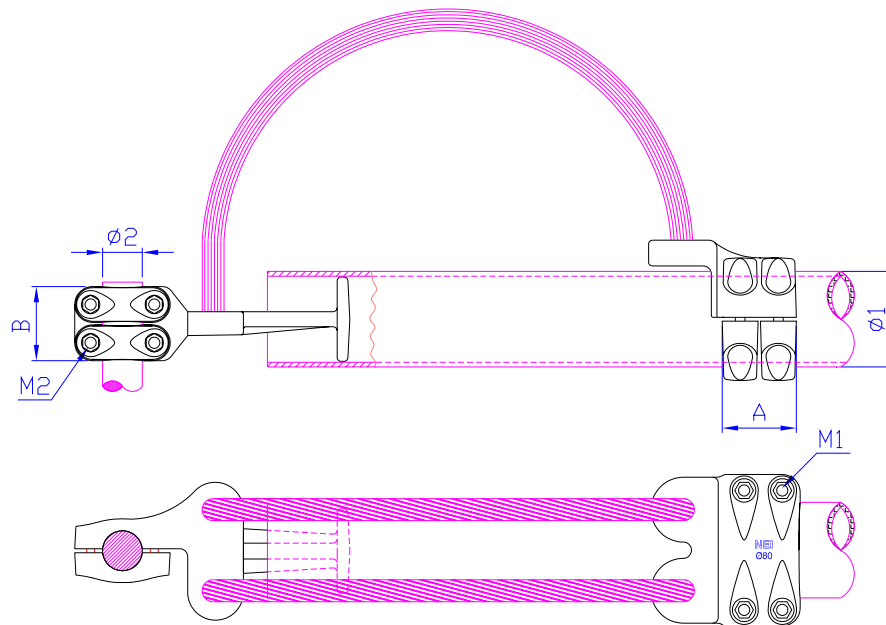
Continued

Catalogue Number	Tube & Stud size (mm)		Dimensions (mm)			
	Tube( $\phi 1$ )	Stud( $\phi 2$ )	A	B	M1	M2
EXC1-1630	160	30	93	77	12	10
EXC1-1632		32	93	77	12	10
EXC1-1640		40	93	77	12	10
EXC1-1642		42	93	77	12	10
EXC1-2030	200	30	93	77	14	10
EXC1-2032		32	93	77	14	10
EXC1-2040		40	93	77	14	10
EXC1-2042		42	93	77	14	10
EXC1-2530	250	30	93	77	14	10
EXC1-2532		32	93	77	14	10
EXC1-2540		40	93	77	14	10
EXC1-2542		42	93	77	14	10

## Expansions

### Expansion Connector

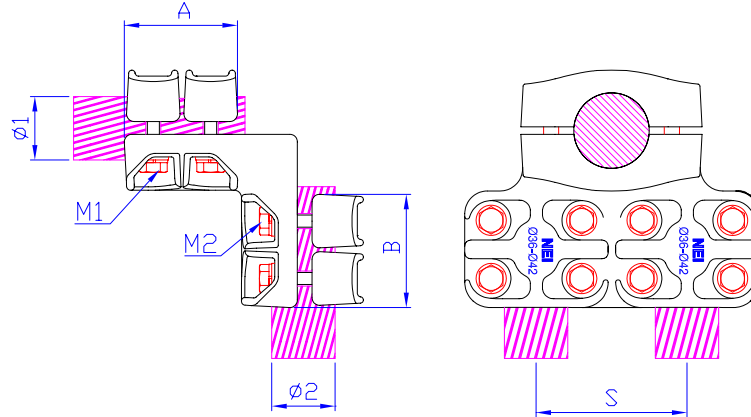
Continued



Catalogue Number	Tube & Stud size (mm)		Dimensions (mm)			
	Tube( $\phi 1$ )	Stud( $\phi 2$ )	A	B	M1	M2
EXC2-5050	50	50	93	93	12	12
EXC2-5060		60	93	93	12	12
EXC2-6050	60	50	93	93	12	12
EXC2-6060		60	93	93	12	12
EXC2-8050	80	50	93	93	12	12
EXC2-8060		60	93	93	12	12
EXC2-1050	100	50	93	93	12	12
EXC2-1060		60	93	93	12	12
EXC2-1250	120	50	93	93	12	12
EXC2-1260		60	93	93	12	12
EXC2-1650	160	50	103	93	12	12
EXC2-1660		60	103	93	12	12
EXC2-2050	200	50	127	93	14	12
EXC2-2060		60	127	93	14	12
EXC2-2550	250	50	127	93	14	12
EXC2-2560		60	127	93	14	12

## SINGLE DUPLEX ELBOW

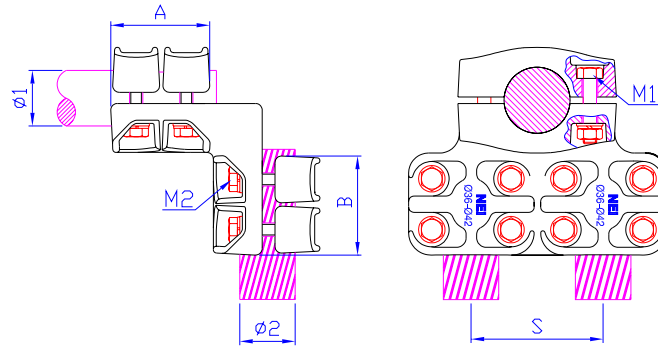
### Cable to Cable



Catalogue Number	Conductor Range (mm)		Dimensions (mm)				
	( $\phi 1$ )	( $\phi 2$ )	S	A	B	M1	M2
SDE11-1919	12-19	12-19	100	77	77	10	10
SDE12-1919			200				
SDE11-1927		19-27	100				
SDE12-1927			200				
SDE11-1933		26-33	100				
SDE12-1933			200				
SDE11-1942		36-42	100				
SDE12-1942			200				
SDE11-2719	19-27	12-19	100	77	77	10	10
SDE11-2719			200				
SDE11-2727		19-27	100				
SDE11-2727			200				
SDE11-2733		26-33	100				
SDE11-2733			200				
SDE11-2742		36-42	100				
SDE11-2742			200				
SDE11-3319	26-33	12-19	100	77	77	10	10
SDE12-3319			200				
SDE11-3327		19-27	100				
SDE12-3327			200				
SDE11-3333		26-33	100				
SDE12-3333			200				
SDE11-3342		36-42	100				
SDE12-3342			200				
SDE11-4219	36-42	12-19	100	77	77	10	10
SDE12-4219			200				
SDE11-4227		19-27	100				
SDE12-4227			200				
SDE11-4233		26-33	100				
SDE12-4233			200				
SDE11-4242		36-42	100				
SDE12-4242			200				

## SINGLE DUPLEX ELBOW

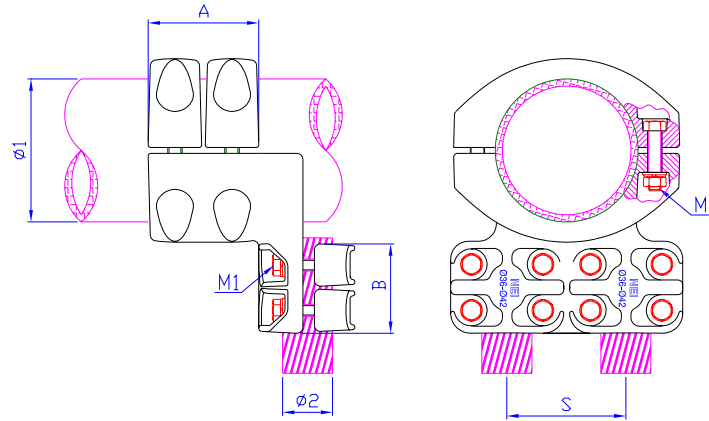
### Stud to Cable



Catalogue Number	Conductor Range (mm)		Dimensions (mm)				
	( $\phi 1$ )	( $\phi 2$ )	S	A	B	M1	M2
SDE11-3019	30	12-19	100	77	77	10	10
SDE12-3019			200				
SDE11-3027		19-27	100	77	77	10	10
SDE12-3027			200				
SDE11-3033		26-33	100	77	77	10	10
SDE12-3033			200				
SDE11-3042		36-42	100	77	77	10	10
SDE12-3042			200				
SDE11-3219	32	12-19	100	77	77	10	10
SDE12-3219			200				
SDE11-3227		19-27	100	77	77	10	10
SDE12-3227			200				
SDE11-3233		26-33	100	77	77	10	10
SDE12-3233			200				
SDE11-3242		36-42	100	77	77	10	10
SDE12-3242			200				
SDE11-4019	40	12-19	100	77	77	10	10
SDE12-4019			200				
SDE11-4027		19-27	100	77	77	10	10
SDE12-4027			200				
SDE11-4033		26-33	100	77	77	10	10
SDE12-4033			200				
SDE11-4042		36-42	100	77	77	10	10
SDE12-4042			200				
SDE11-4219	42	12-19	100	77	77	10	10
SDE12-4219			200				
SDE11-4227		19-27	100	77	77	10	10
SDE12-4227			200				
SDE11-4233		26-33	100	77	77	10	10
SDE12-4233			200				
SDE11-4242		36-42	100	77	77	10	10
SDE12-4242			200				

## SINGLE DUPLEX ELBOW

Tube to Cable



Catalogue Number	Conductor Range (mm)		Dimensions (mm)				
	( $\phi 1$ )	( $\phi 2$ )	S	A	B	M1	M2
SDE11-5019	50	12-19	100	93	77	12	10
SDE12-5019			200				
SDE11-5027		19-27	100				
SDE12-5027			200				
SDE11-5033		26-33	100				
SDE12-5033			200				
SDE11-5042		36-42	100				
SDE12-5042			200				
SDE11-6019	60	12-19	100	93	77	12	10
SDE12-6019			200				
SDE11-6027		19-27	100				
SDE12-6027			200				
SDE11-6033		26-33	100				
SDE12-6033			200				
SDE11-6042		36-42	100				
SDE12-6042			200				
SDE11-8019	80	12-19	100	93	77	12	10
SDE12-8019			200				
SDE11-8027		19-27	100				
SDE12-8027			200				
SDE11-8033		26-33	100				
SDE12-8033			200				
SDE11-8042		36-42	100				
SDE12-8042			200				

Continued on next page



## SINGLE DUPLEX ELBOW

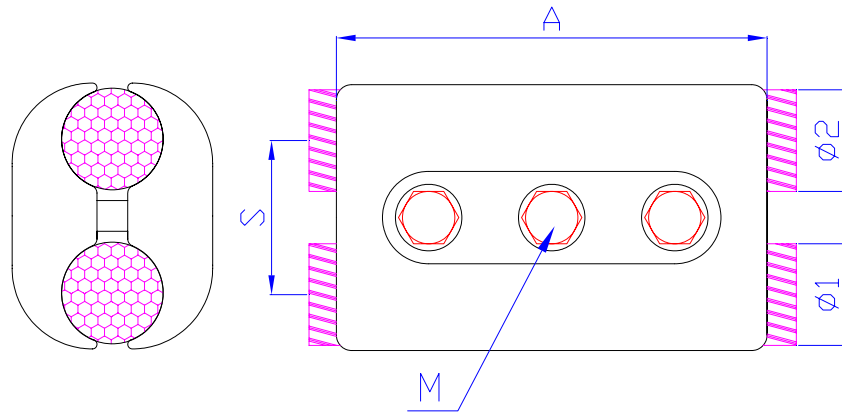
### Tube to Cable

Continued

Catalogue Number	Conductor Range (mm)		Dimensions (mm)				
	( $\phi 1$ )	( $\phi 2$ )	S	A	B	M1	M2
SDE11-1019	100	12-19	100	93	77	12	10
SDE12-1019			200				
SDE11-1027		19-27	100	93	77	12	10
SDE12-1027			200				
SDE11-1033		26-33	100	93	77	12	10
SDE12-1033			200				
SDE11-1042		36-42	100	93	77	12	10
SDE12-1042			200				
SDE11-1219	120	12-19	100	93	77	12	10
SDE12-1219			200				
SDE11-1227		19-27	100	93	77	12	10
SDE12-1227			200				
SDE11-1233		26-33	100	93	77	12	10
SDE12-1233			200				
SDE11-1242		36-42	100	93	77	12	10
SDE12-1242			200				
SDE11-1619	160	12-19	100	103	77	12	10
SDE12-1619			200				
SDE11-1627		19-27	100	103	77	12	10
SDE12-1627			200				
SDE11-1633		26-33	100	103	77	12	10
SDE12-1633			200				
SDE11-1642		36-42	100	103	77	12	10
SDE12-1642			200				
SDE11-2019	200	12-19	100	127	77	14	10
SDE12-2019			200				
SDE11-2027		19-27	100	127	77	14	10
SDE12-2027			200				
SDE11-2033		26-33	100	127	77	14	10
SDE12-2033			200				
SDE11-2042		36-42	100	127	77	14	10
SDE12-2042			200				
SDE11-2519	250	12-19	100	127	77	14	10
SDE12-2519			200				
SDE11-2527		19-27	100	127	77	14	10
SDE12-2527			200				
SDE11-2533		26-33	100	127	77	14	10
SDE12-2533			200				
SDE11-2542		36-42	100	127	77	14	10
SDE12-2542			200				

## PARALLEL CLAMPS

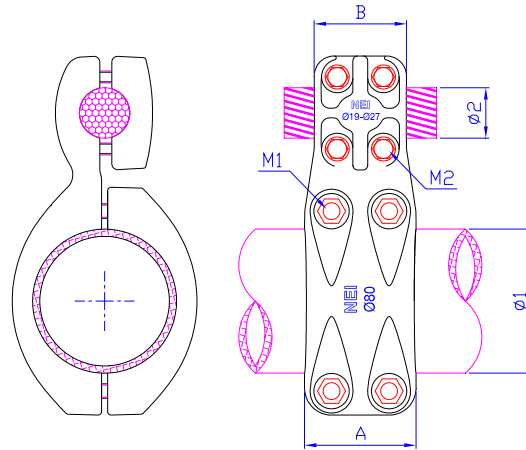
Cable to Cable



Catalogue Number	Conductor Range (mm)		Dimensions (mm)		
	( $\phi 1$ )	( $\phi 2$ )	S	A	M
PC-1919	12-19	12-19	50	135	10
PC-2727	19-27	19-27	50	135	10
PC-3333	26-33	26-33	50	135	10
PC-4242	36-42	36-42	60	135	10

## PARALLEL CLAMPS

### Tube to Cable



Catalogue Number	Conductor Range (mm)		Dimensions (mm)			
	( $\phi 1$ )	( $\phi 2$ )	A	B	M1	M2
PC1-5019	50	12-19	93	77	12	10
PC1-5027		19-27	93	77	12	10
PC1-5033		26-33	93	77	12	10
PC1-5042		36-42	93	77	12	10
PC1-6019	60	12-19	93	77	12	10
PC1-6027		19-27	93	77	12	10
PC1-6033		26-33	93	77	12	10
PC1-6042		36-42	93	77	12	10
PC1-8019	80	12-19	93	77	12	10
PC1-8027		19-27	93	77	12	10
PC1-8033		26-33	93	77	12	10
PC1-8042		36-42	93	77	12	10
PC1-1019	100	12-19	93	77	12	10
PC1-1027		19-27	93	77	12	10
PC1-1033		26-33	93	77	12	10
PC1-1042		36-42	93	77	12	10
PC1-1219	120	12-19	93	77	12	10
PC1-1227		19-27	93	77	12	10
PC1-1233		26-33	93	77	12	10
PC1-1242		36-42	93	77	12	10

Continued on next page

## PARALLEL CLAMPS

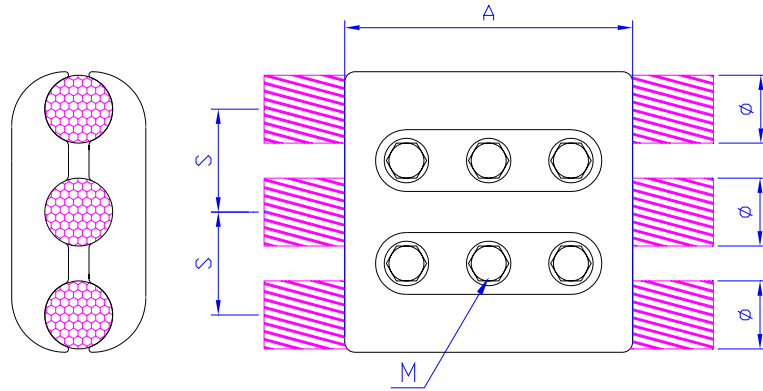
### Tube to Cable

Continued

Catalogue Number	Conductor Range (mm)		Dimensions (mm)			
	Tube( $\phi$ 1)	Cable( $\phi$ 2)	A	B	M1	M2
PC1-1619	160	12-19	103	77	12	10
PC1-1627		19-27	103	77	12	10
PC1-1633		26-33	103	77	12	10
PC1-1642		36-42	103	77	12	10
PC1-2019	200	12-19	127	77	14	10
PC1-2027		19-27	127	77	14	10
PC1-2033		26-33	127	77	14	10
PC1-2042		36-42	127	77	14	10
PC1-2519	250	12-19	127	77	14	10
PC1-2527		19-27	127	77	14	10
PC1-2533		26-33	127	77	14	10
PC1-2542		36-42	127	77	14	10

## Triple PARALLEL CLAMPS

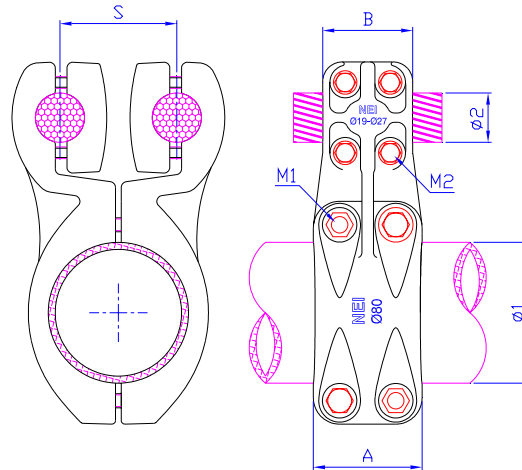
### Three Cable



Catalogue Number	Conductor Range (mm) ( $\phi$ )	Dimensions (mm)		
		A	S	M
PC3-19	12-19	135	50	10
PC3-27	19-27	135	50	10
PC3-33	26-33	135	50	10
PC3-42	36-42	135	60	10

## SINGLE DUPLEX PARALLEL CLAMPS

### Tube to two Cable



Catalogue Number	Conductor Range (mm)		Dimensions (mm)			
	$(\phi 1)$	$(\phi 2)$	A	B	M1	M2
PC12-5019	50	12-19	93	77	12	10
PC12-5027		19-27	93	77	12	10
PC12-5033		26-33	93	77	12	10
PC12-5042		36-42	93	77	12	10
PC12-6019	60	12-19	93	77	12	10
PC12-6027		19-27	93	77	12	10
PC12-6033		26-33	93	77	12	10
PC12-6042		36-42	93	77	12	10
PC12-8019	80	12-19	93	77	12	10
PC12-8027		19-27	93	77	12	10
PC12-8033		26-33	93	77	12	10
PC12-8042		36-42	93	77	12	10
PC12-1019	100	12-19	93	77	12	10
PC12-1027		19-27	93	77	12	10
PC12-1033		26-33	93	77	12	10
PC12-1042		36-42	93	77	12	10
PC12-1219	120	12-19	93	77	12	10
PC12-1227		19-27	93	77	12	10
PCT2-1233		26-33	93	77	12	10
PC12-1242		36-42	93	77	12	10

Continued on next page

## SINGLE DUPLEX PARALLEL CLAMPS

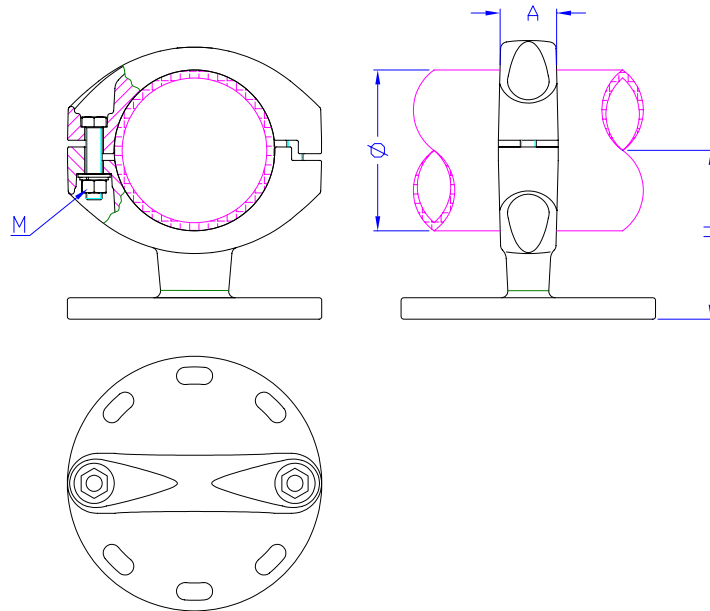
### Tube to two Cable

Continued

Catalogue Number	Conductor Range (mm)		Dimensions (mm)			
	Tube( $\phi$ 1)	Cable( $\phi$ 2)	A	B	M1	M2
PC 12-1619	160	12-19	103	77	12	10
PC 12-1627		19-27	103	77	12	10
PC 12-1633		26-33	103	77	12	10
PC 12-1642		36-42	103	77	12	10
PC 12-2019	200	12-19	127	77	14	10
PC 12-2027		19-27	127	77	14	10
PC 12-2033		26-33	127	77	14	10
PC 12-2042		36-42	127	77	14	10
PC 12-2519	250	12-19	127	77	14	10
PC 12-2527		19-27	127	77	14	10
PC 12-2533		26-33	127	77	14	10
PC 12-2542		36-42	127	77	14	10

## Bus bar Support

### Fix

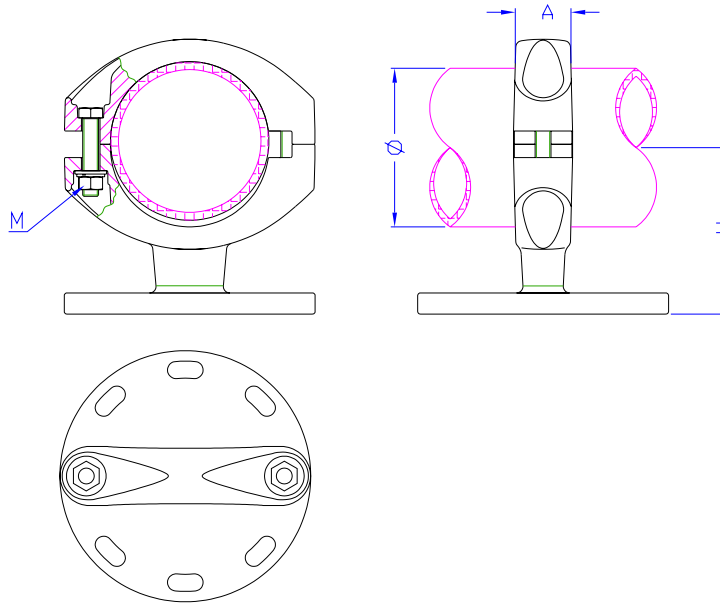


Catalogue Number	Tube Size( $\phi$ )	Dimensions		
		A	H	M
BS-F-50	50	45	75	12
BS-F-60	60	45	85	12
BS-F-80	80	45	95	12
BS-F-100	100	45	105	12
BS-F-120	120	45	115	12
BS-F-160	160	50	135	12
BS-F-200	200	62	180	14
BS-F-250	250	62	205	14



## Bus bar Support

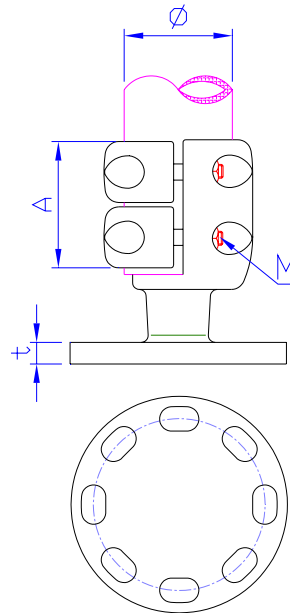
### Slide



Catalogue Number	Tube Size( $\phi$ )	Dimensions		
		A	H	M
BS-S-50	50	45	75	12
BS-S-60	60	45	85	12
BS-S-80	80	45	95	12
BS-S-10	100	45	105	12
BS-S-12	120	45	115	12
BS-S-16	160	50	135	12
BS-S-20	200	62	180	14
BS-S-25	250	62	205	14

## Bus bar Support

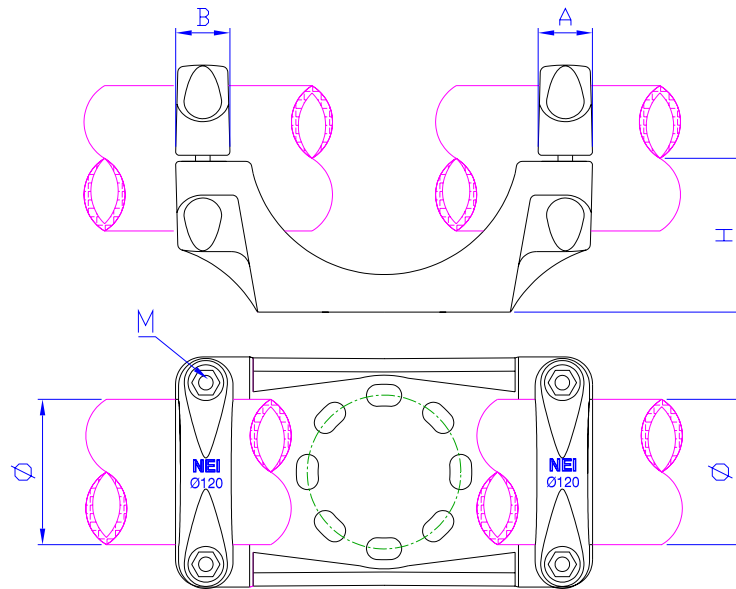
### Vertical



Catalogue Number	Tube Size( $\phi$ )	Dimensions		
		A	t	M
VBS-50	50	93	16	12
VBS-60	60	93	16	12
VBS-80	80	93	16	12
VBS-10	100	93	16	12
VBS-12	120	93	16	12
VBS-16	160	103	16	12
VBS-20	200	127	16	14
VBS-25	250	127	16	14

## Double Bus bar Support

### Fix & Slide

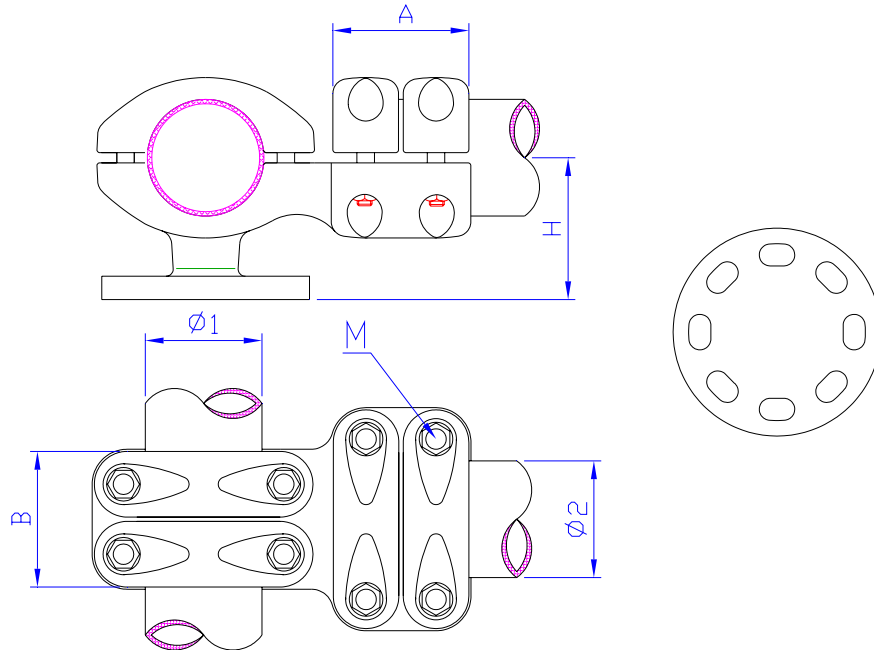


Catalogue Number	Tube Size( $\phi$ )	Dimensions		
		A	H	M
DBS-F-50	50	45	75	12
DBS-F-60	60	45	85	12
DBS-F-80	80	45	95	12
DBS-F-10	100	45	105	12
DBS-F-12	120	45	115	12
DBS-F-16	160	50	135	12
DBS-F-20	200	62	180	14
DBS-F-25	250	62	205	14

For slide type, replace S instead of F in the catalogue number.

## Bus bar Support

### T-Connector



Catalogue Number	Tube Size( $\phi$ )	Dimensions		
		A	H	M
BSTC-50	50	45	75	12
BSTC-60	60	45	85	12
BSTC-80	80	45	95	12
BSTC-10	100	45	105	12
BSTC-12	120	45	115	12
BSTC-16	160	50	135	12
BSTC-20	200	62	180	14
BSTC-25	250	62	205	14

In case of difference between tube sizes, add the second size in front of the catalogue number.

For example: T-Connector Bus bar Support for tube 100 to tube 120 = BSTC-1012

## SPACER

Two Bundles

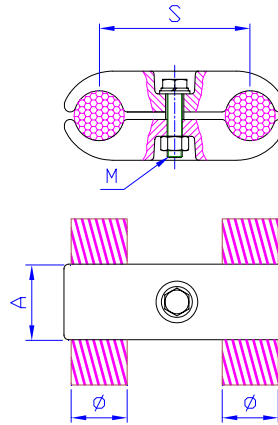


Fig.1

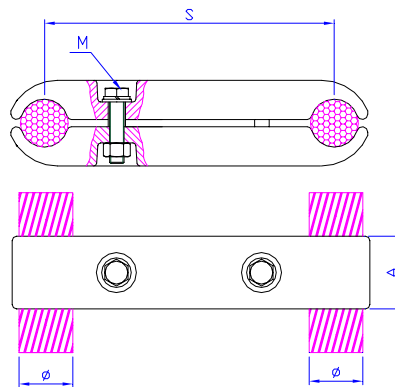
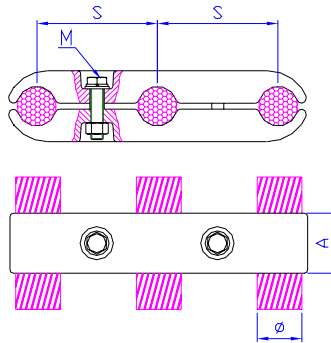


Fig.2

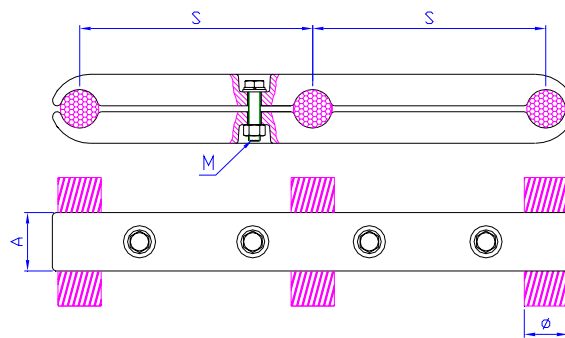
Catalogue Number	Fig. No.	Conductor Range (mm) ( $\phi$ )	Dimensions (mm)		
			S	A	M
SP21-19	1	12-19	100	40	12
SP22-19	2		200		
SP21-27	1	19-27	100	40	12
SP22-27	2		200		
SP21-33	1	26-33	100	40	12
SP22-33	2		200		
SP21-42	1	36-42	100	40	12
SP22-42	2		200		

## SPACER

Three Bundles (Linear)



**Fig.1**

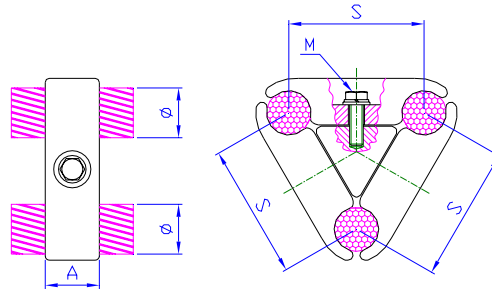


**Fig.2**

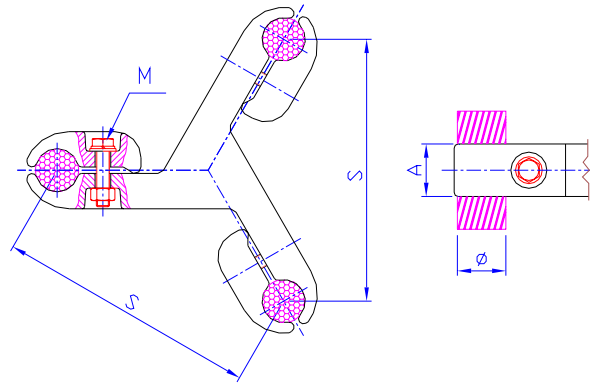
Catalogue Number	Fig. No.	Conductor Range (mm) ( $\phi$ )	Dimensions (mm)		
			S	A	M
SP3L1-19	1	12-19	100	40	12
SP3L2-19	2		200		
SP3L1-27	1	19-27	100	40	12
SP3L2-27	2		200		
SP3L1-33	1	26-33	100	40	12
SP3L2-33	2		200		
SP3L1-42	1	36-42	100	40	12
SP3L2-42	2		200		

## SPACER

Three Bundles (Triangle)



**Fig.1**

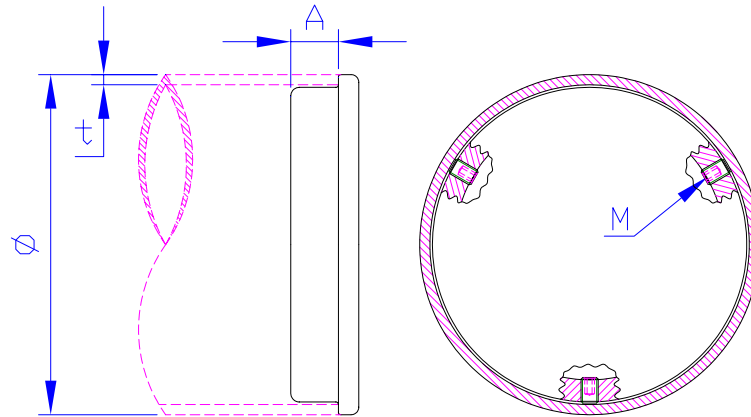


**Fig.2**

Catalogue Number	Fig. No.	Conductor Range (mm)	Dimensions (mm)		
		( $\phi$ )	S	A	M
SP3T1-19	1	12-19	100	40	12
SP3T2-19	2		200		
SP3T1-27	1	19-27	100	40	12
SP3T2-27	2		200		
SP3T1-33	1	26-33	100	40	12
SP3T2-33	2		200		
SP3T1-42	1	36-42	100	40	12
SP3T2-42	2		200		

## End Cap

Without Damping Wire

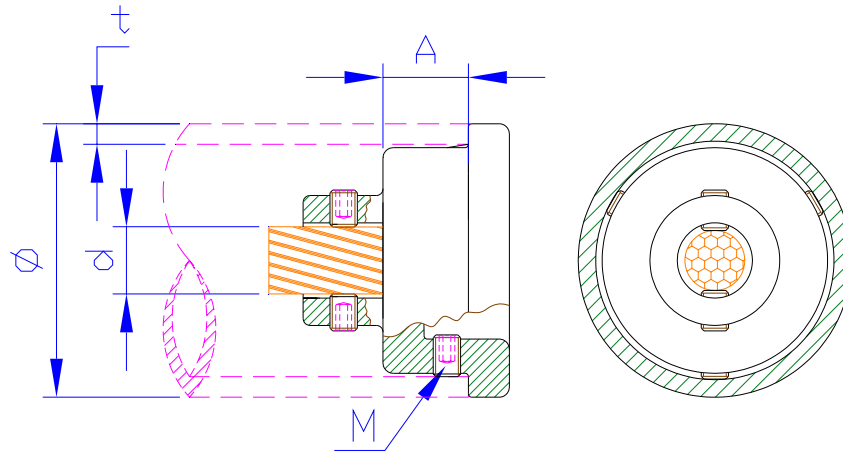


Catalogue Number	Tube Size (mm)	Dimensions (mm)	
	( $\phi$ )	A	M
EC-50-t-d	50	30	10
EC-60-t-d	60		
EC-80-t-d	80		
EC-100-t-d	100		



## End Cap

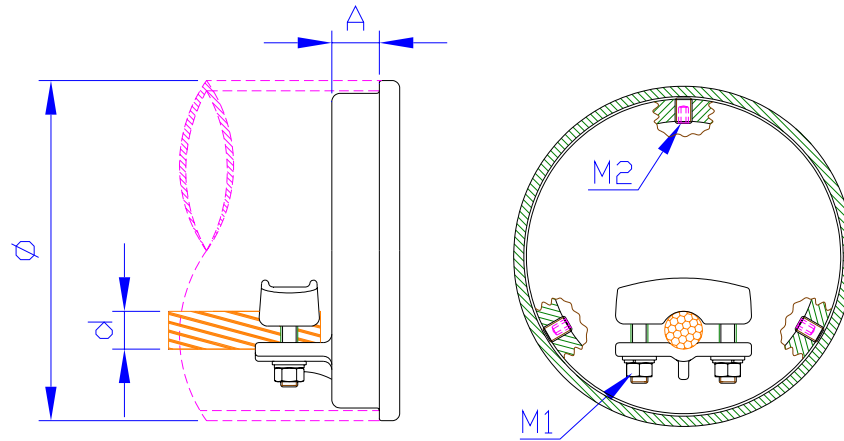
With Damping Wire



Catalogue Number	Tube Size (mm)	Dimensions (mm)	
	( $\phi$ )	A	M
EC-50-t-d	50	30	10
EC-60-t-d	60		
EC-80-t-d	80		
EC-100-t-d	100		

## End Cap

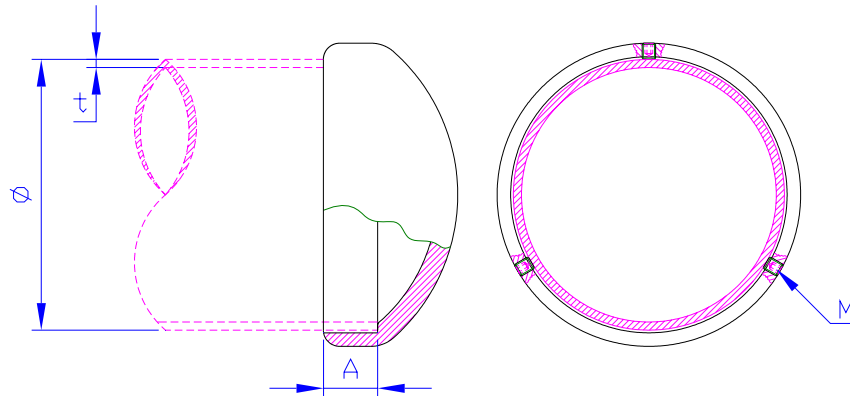
With Damping Wire



Catalogue Number	Tube Size (mm)	Dimensions (mm)		
	( $\phi$ )	A	M1	M2
EC-120-t-d	120	30	10	10
EC-160-t-d	160			
EC-200-t-d	200			
EC-250-t-d	250			

## Corona Bell

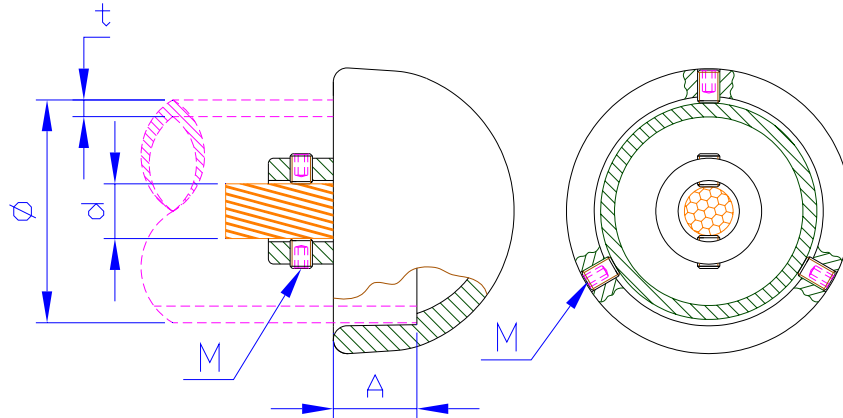
Without Damping Wire



Catalogue Number	Tube Size (mm)	Dimensions (mm)	
	( $\phi$ )	A	M
EC-50-t-d	50	30	10
EC-60-t-d	60		
EC-80-t-d	80		
EC-100-t-d	100		
EC-120-t-d	120	35	
EC-160-t-d	160		
EC-200-t-d	200		
EC-250-t-d	250		

## Corona Bell

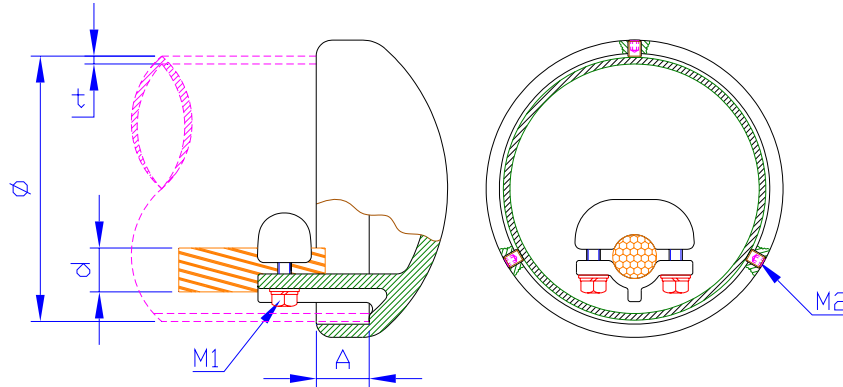
With Damping Wire



Catalogue Number	Tube Size (mm)	Dimensions (mm)	
	( $\phi$ )	A	M
EC-50-t-d	50	30	10
EC-60-t-d	60		
EC-80-t-d	80		
EC-100-t-d	100		

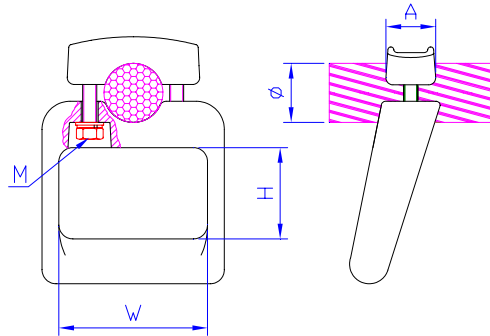
## Corona Bell

With Damping Wire



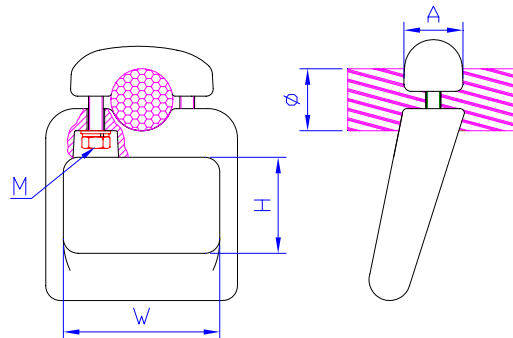
Catalogue Number	Tube Size (mm)	Dimensions (mm)		
	( $\phi$ )	A	M1	M2
EC-120-t-d	120	35	10	10
EC-160-t-d	160			
EC-200-t-d	200			
EC-250-t-d	250			

## EARTHING POINT



### Single Cable (up to 230 kV)

Catalogue Number	Conductor Range (mm) ( $\phi$ )	Dimensions (mm)			
		A	H	W	M
EP1-19	12-19	77	78	125	12
EP1-27	19-27				
EP1-33	26-33				
EP1-42	36-42				

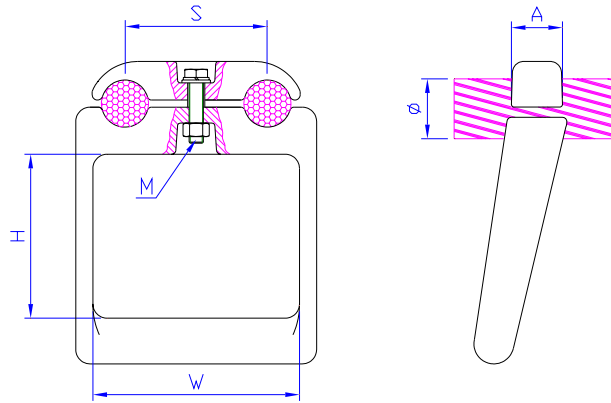


### Single Cable (400 kV)

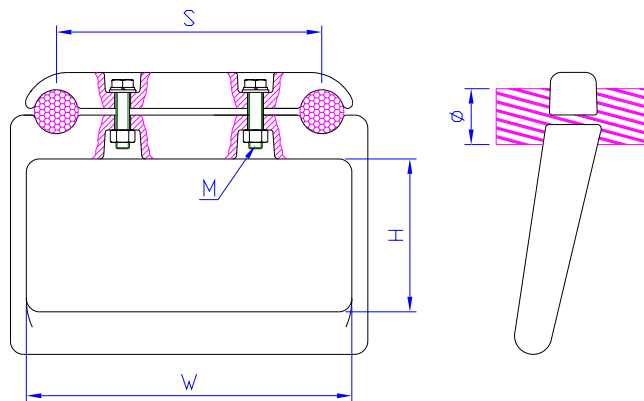
Catalogue Number	Conductor Range (mm) ( $\phi$ )	Dimensions (mm)			
		A	H	W	M
EP2-19	12-19	36	78	125	12
EP2-27	19-27	36			
EP2-33	26-33	38			
EP2-42	36-42	42			

## EARTHING POINT

### Double Cable



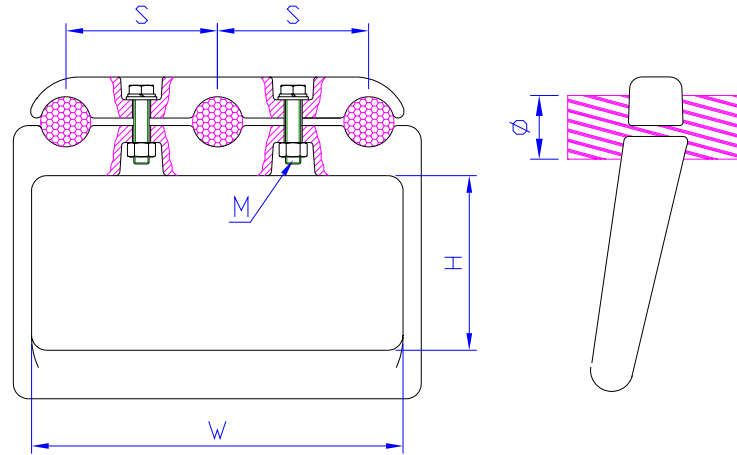
Catalogue Number	Conductor Range (mm)	Dimensions (mm)				
	( $\phi$ )	A	S	H	W	M
EP10-19	12-19	40	100	118	145	12
EP10-27	19-27					
EP10-33	26-33					
EP10-42	36-42					



Catalogue Number	Conductor Range (mm)	Dimensions (mm)				
	( $\phi$ )	A	S	H	W	M
EP20-19	12-19	77	200	118	245	12
EP20-27	19-27					
EP20-33	26-33					
EP20-42	36-42					

## EARTHING POINT

### Triple Cable

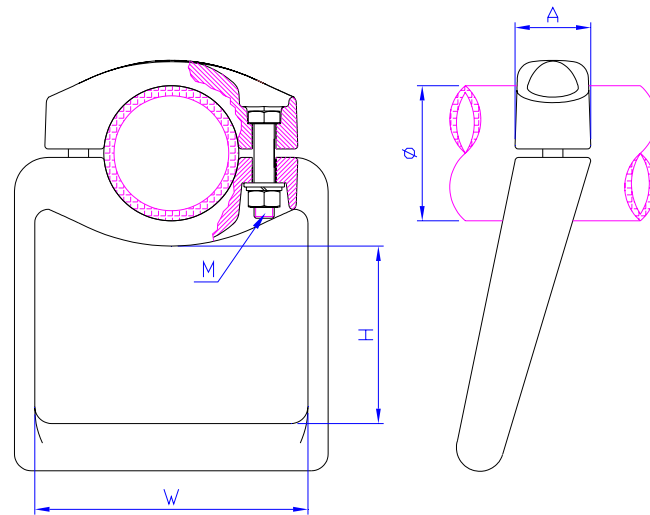


Catalogue Number	Conductor Range (mm) ( $\phi$ )	Dimensions (mm)				
		A	S	H	W	M
EP10-19	12-19	77	100	118	245	12
EP10-27	19-27					
EP10-33	26-33					
EP10-42	36-42					



## EARTHING POINT

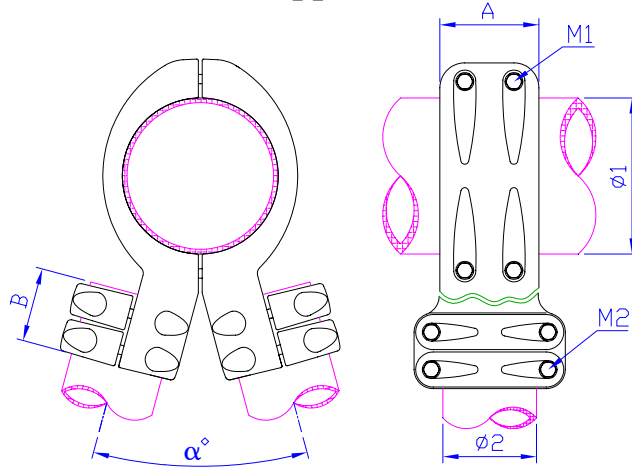
for Tube



Catalogue Number	Tube Size (mm)	Dimensions (mm)			
	( $\phi$ )	A	W	H	M
EP-50	50	45	136	105	12
EP-60	60	45	151	105	12
EP-80	80	45	166	105	12
EP-100	100	45	191	105	12
EP-120	120	45	206	105	12
EP-160	160	50	261	105	12
EP-200	200	62	296	105	14
EP-250	250	62	356	105	14

## A-Frames

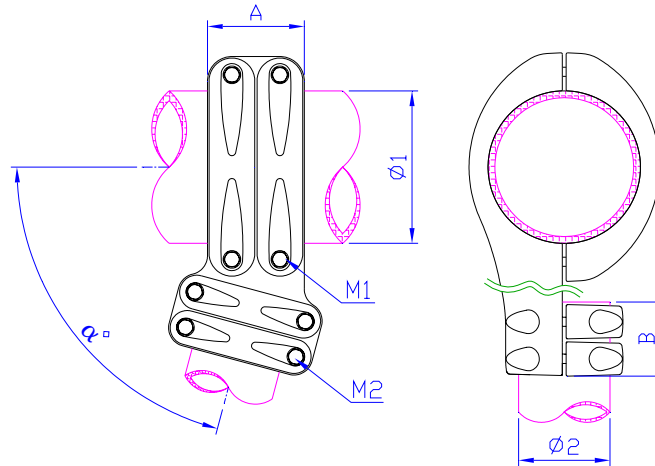
### Upper



Catalogue Number	Tube size (mm)		Dimensions (mm)				
	( $\phi 1$ )	( $\phi 2$ )	A	B	$\alpha$	M1	M2
AFU-5050	50	50	93	93	30	12	12
AFU-6050	60	50	93	93	30	12	12
AFU-6060		60	93	93	30	12	14
AFU-8050	80	50	93	93	30	12	12
AFU-8060		60	93	93	30	12	12
AFU-8080		80	93	93	30	12	14
AFU-1050	100	50	93	93	30	12	12
AFU-1060		60	93	93	30	12	12
AFU-1080		80	93	93	30	12	12
AFU-1010		100	93	93	30	12	14
AFU-1260	120	60	93	93	30	12	12
AFU-1280		80	93	93	30	12	12
AFU-1210		100	93	93	30	12	12
AFU-1212		120	93	93	30	12	14
AFU-1680	160	80	103	93	30	12	12
AFU-1610		100	103	93	30	12	12
AFU-1612		120	103	93	30	12	12
AFU-1616		160	103	103	30	12	12
AFU-2010	200	100	127	93	30	14	12
AFU-2012		120	127	93	30	14	12
AFU-2016		160	127	103	30	14	14
AFU-2020		200	127	127	30	14	14
AFU-2512	250	120	127	93	30	14	12
AFU-2516		160	127	103	30	14	12
AFU-2520		200	127	127	30	14	14
AFU-2525		250	127	127	30	14	14

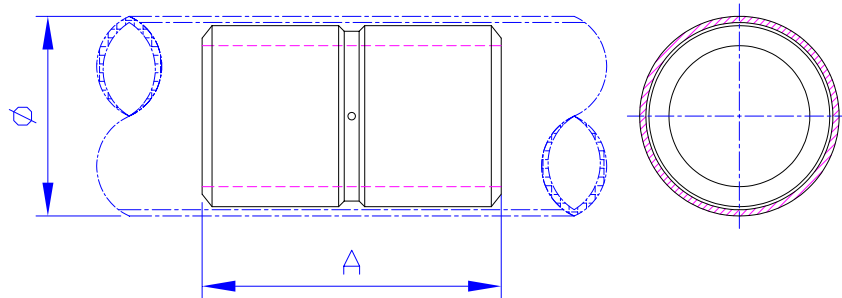
## A-Frames

### Lower



Catalogue Number	Tube size (mm)		Dimensions (mm)				
	( $\phi 1$ )	( $\phi 2$ )	A	B	$\alpha$	M1	M2
AFL-5050	50	50	93	93	75	12	12
AFL-6050	60	50	93	93	75	12	12
AFL-6060		60	93	93	75	12	14
AFL-8050	80	50	93	93	75	12	12
AFL-8060		60	93	93	75	12	12
AFL-8080		80	93	93	75	12	14
AFL-1050	100	50	93	93	75	12	12
AFL-1060		60	93	93	75	12	12
AFL-1080		80	93	93	75	12	12
AFL-1010		100	93	93	75	12	14
AFL-1260	120	60	93	93	75	12	12
AFL-1280		80	93	93	75	12	12
AFL-1210		100	93	93	75	12	12
AFL-1212		120	93	93	75	12	14
AFL-1680	160	80	103	93	75	12	12
AFL-1610		100	103	93	75	12	12
AFL-1612		120	103	93	75	12	12
AFL-1616		160	103	103	75	12	12
AFL-2010	200	100	127	93	75	14	12
AFL-2012		120	127	93	75	14	12
AFL-2016		160	127	103	75	14	14
AFL-2020		200	127	127	75	14	14
AFL-2512	250	120	127	93	75	14	12
AFL-2516		160	127	103	75	14	12
AFL-2520		200	127	127	75	14	14
AFL-2525		250	127	127	75	14	14

## Welding Joint



Catalogue Number	Tube Size (mm)	Dimensions (mm)
	( $\phi$ )	A
WJ-50-t	50	75
WJ-60-t	60	90
WJ-80-t	80	120
WJ-100-t	100	150
WJ-120-t	120	180
WJ-160-t	160	240
WJ-200-t	200	280
WJ-250-t	250	280